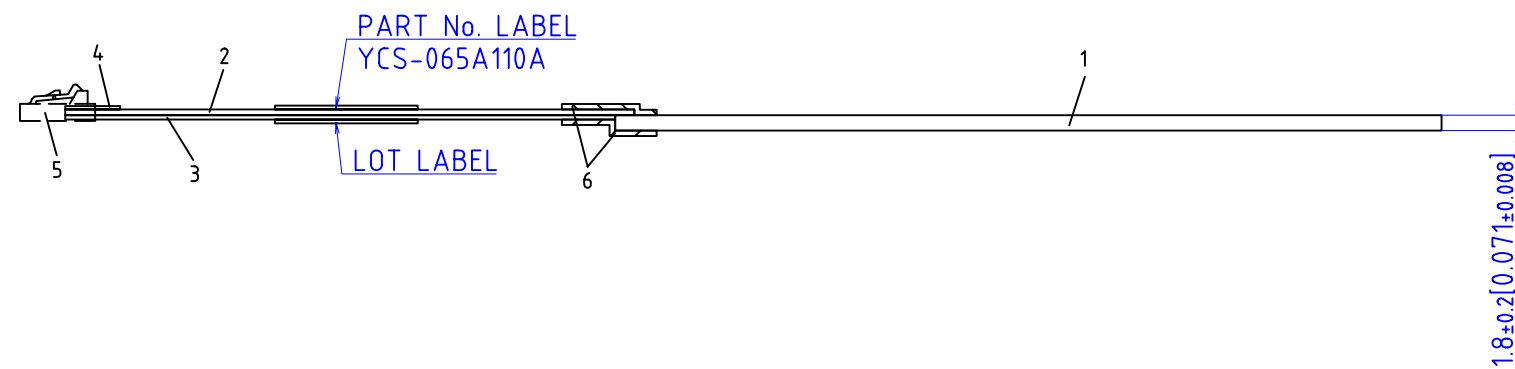
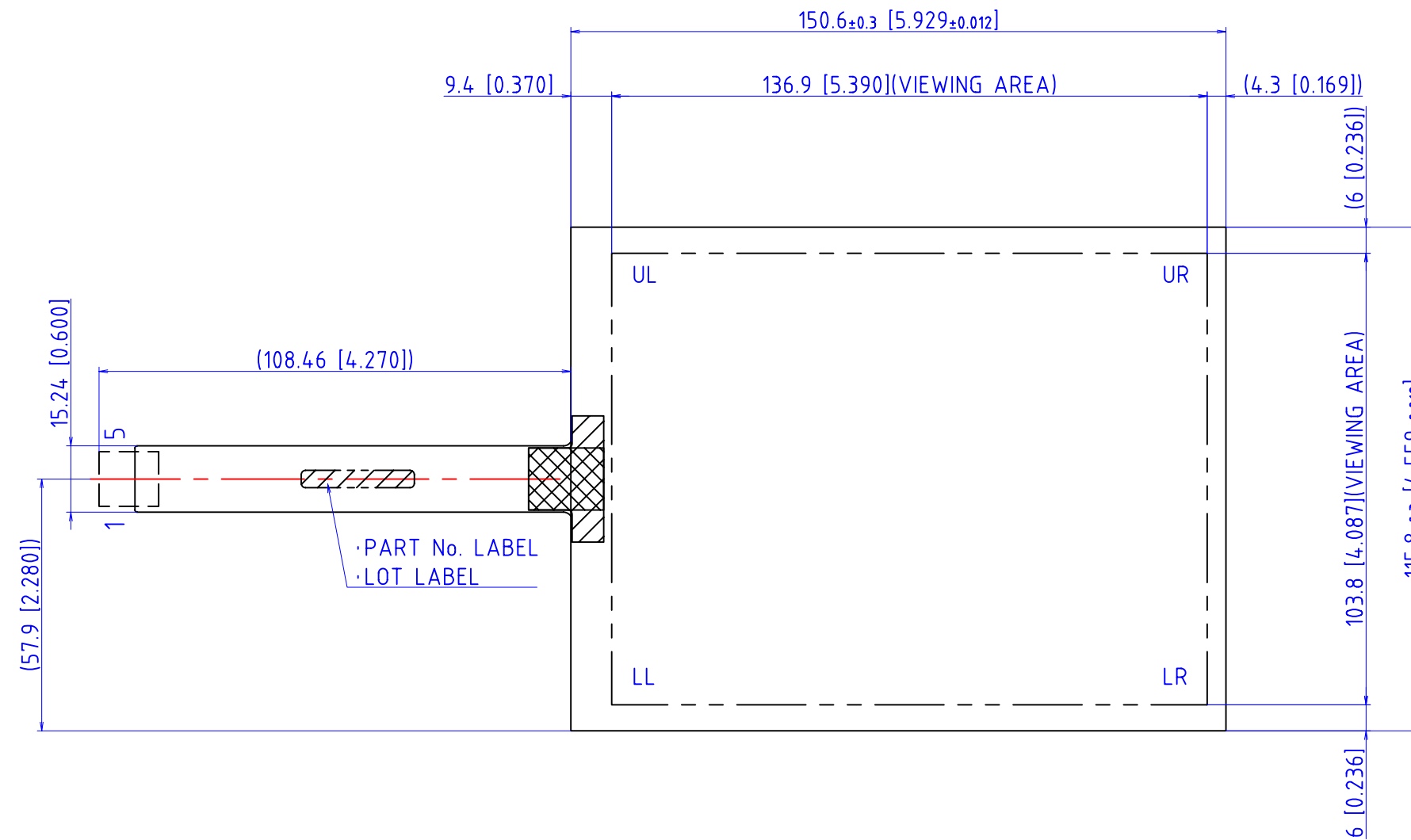


# PIN ASSIGNMENT

- 5 — UR
- 4 — UL
- 3 — NC
- 2 — LL
- 1 — LR



TOLERANCE=±0.5mm(0.02in)  
EXCEPT WHERE INDICATED  
UNIT=mm [inch]

1	ITO GLASS
2	FPC
3	REINFORCEMENT FILM
4	STIFFENER
5	CONNECTOR(AMP:487526-4)
6	TAIL PROTECTION TAPE

PART No.	DATE
YCS-065A110A	January , 22 , 2010
TYPE	DMC Co., Ltd.
STANDARD TOUCHSCREEN DIMENSIONAL DRAWING	