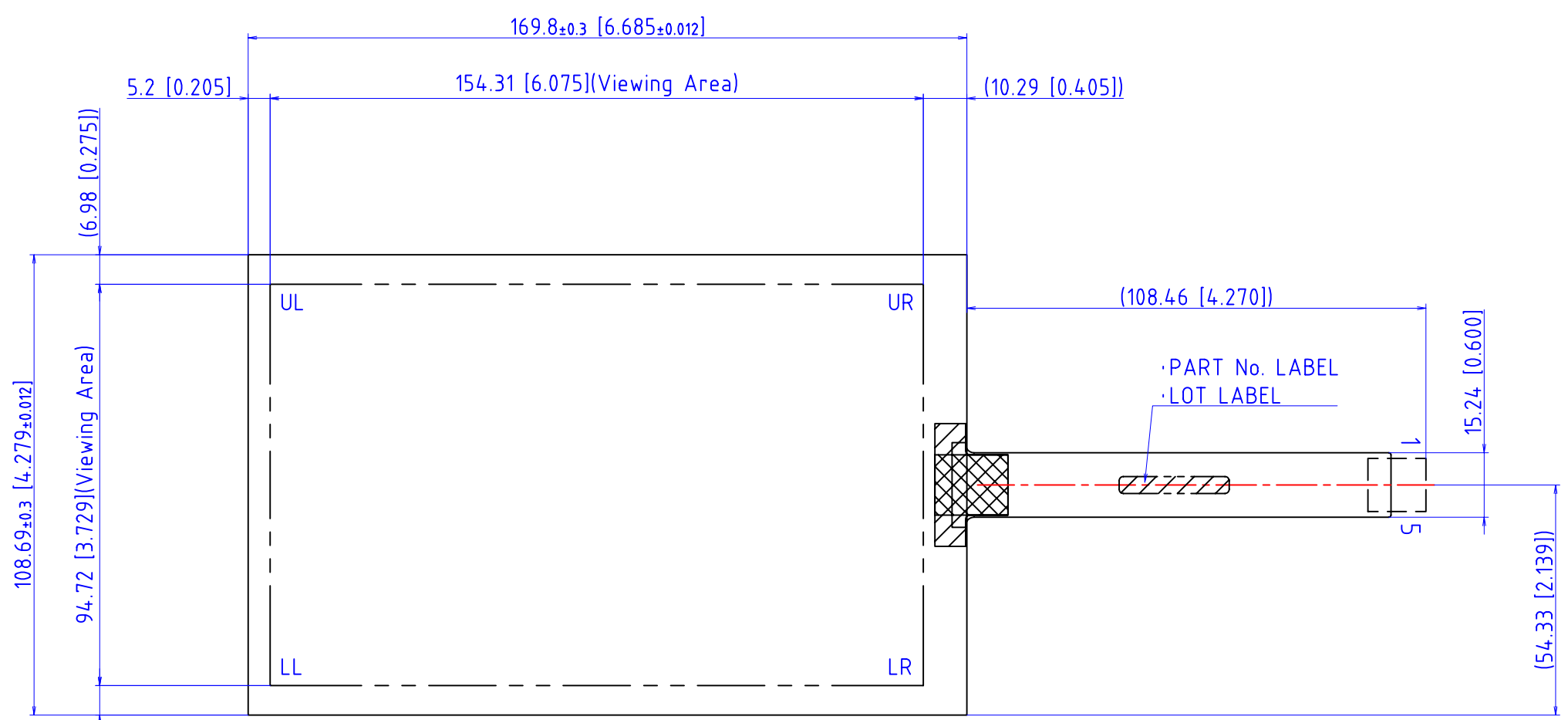


### PIN ASSIGNMENT

- 1 ——— UL
- 2 ——— UR
- 3 ——— NC
- 4 ——— LR
- 5 ——— LL



TOLERANCE=±0.5mm(0.02in)  
EXCEPT WHERE INDICATED  
UNIT=mm [inch]

1	ITO GLASS
2	FPC
3	REINFORCEMENT FILM
4	STIFFENER
5	CONNECTOR(AMP:487526-4)
6	TAIL PROTECTION TAPE

PART No.	DATE
YCS-070A110A	July , 14 , 2009
TYPE	DMC Co., Ltd.
STANDARD TOUCHSCREEN DIMENSIONAL DRAWING	