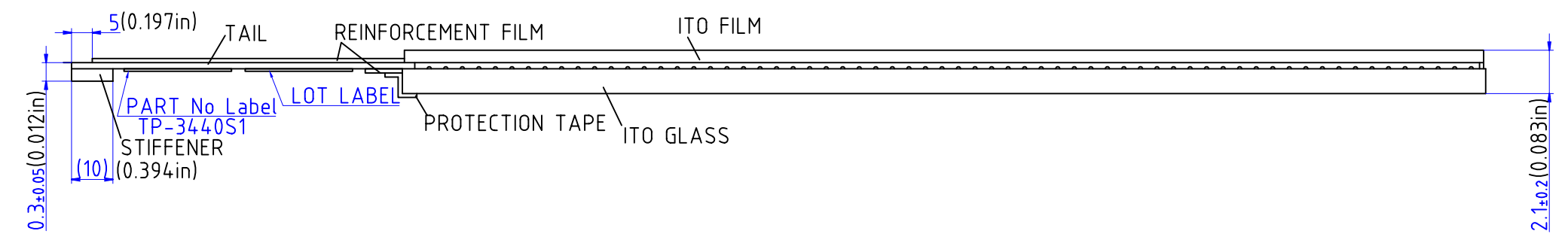
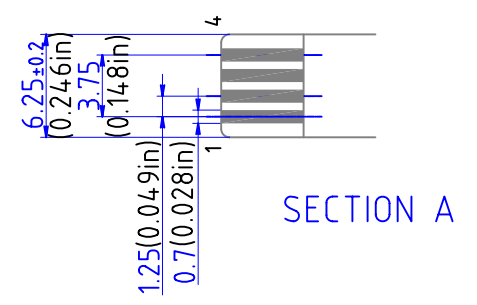


PIN ASSIGNMENT



PART No.	DATE
TP-3440S1F0	Mar 1, 2008
TYPE	
STANDARD TOUCHSCREEN	
DIMENSIONAL DRAWING	
DMC Co., Ltd.	