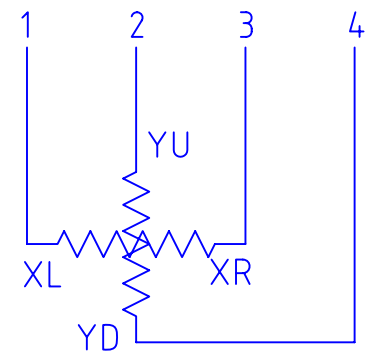


PIN ASSIGNMENT



PART No.	DATE
TP-3511S1F0	Feb 26, 2008
TYPE	DMC Co., Ltd.
STANDARD TOUCHSCREEN DIMENSIONAL DRAWING	