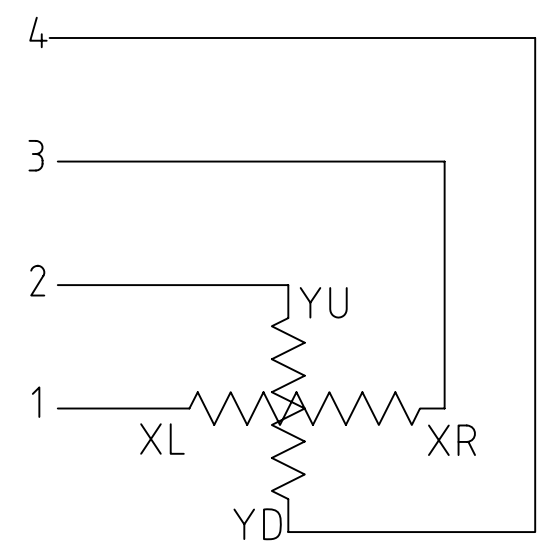


PIN ASSIGNMENT



| | |
|---------------------------------------------|---------------|
| PART No. | DATE |
| TP-3394S1F0 | Mar 3, 2008 |
| TYPE | DMC Co., Ltd. |
| STANDARD TOUCHSCREEN DIMENSIONAL DRAWING | |