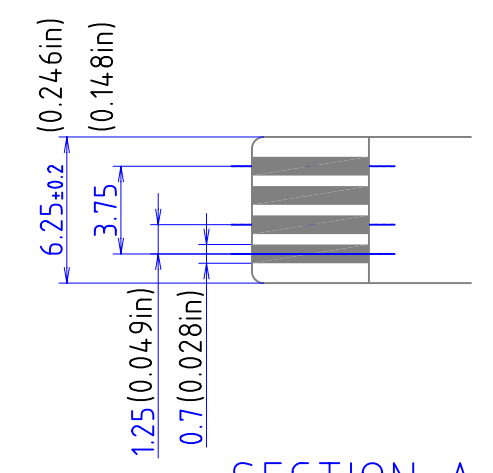
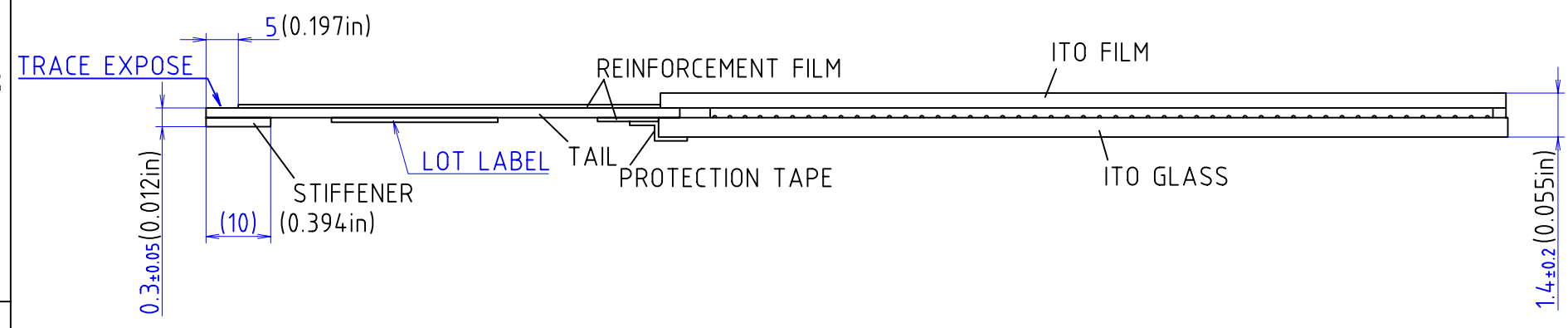


PIN ASSIGNMENT



SECTION A



PART No.	DATE
TP-3718S1F0	Mar 3, 2008
TYPE	DMC Co., Ltd.
DMC Sales	
CIRCUIT DRAWING	