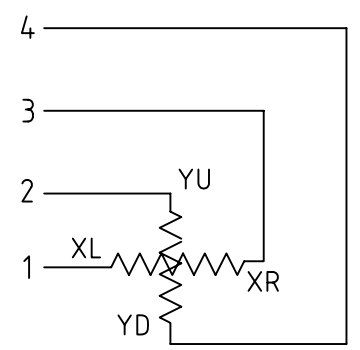


PART No.
TP-3719S1

PIN ASSIGNMENT



PART No.	DATE
TP-3719S1F0	Mar 3, 2008
TYPE	DMC Co., Ltd.
STANDARD TOUCHSCREEN DIMENSIONAL DRAWING	