

A B C D E F

1

2

3

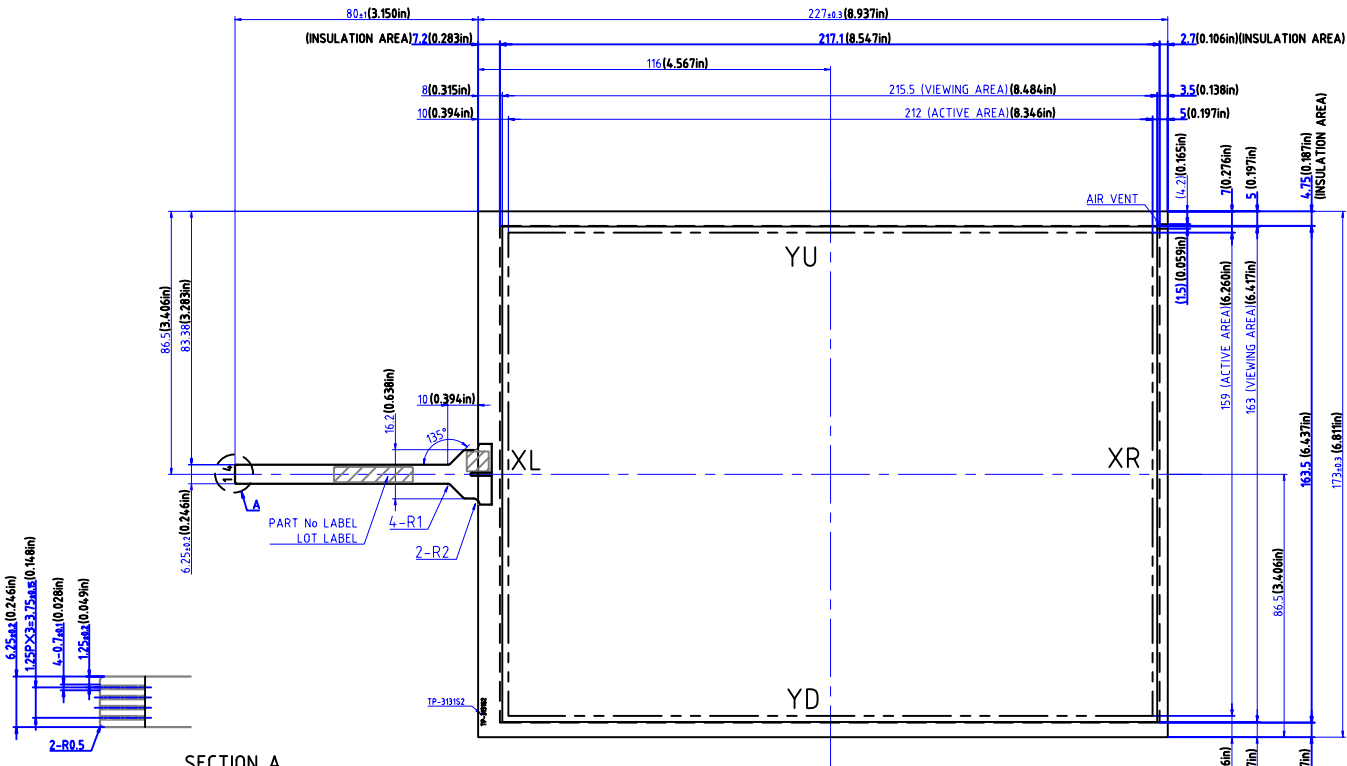
4

1

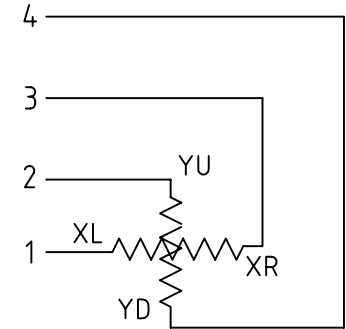
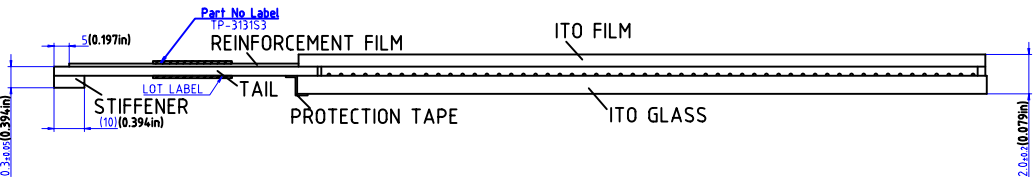
2

3

4



SECTION A



PIN ASSIGNMENT

PART No.	DATE
TP-3131S3F0	Mar 4, 2008
TYPE	
STANDARD TOUCHSCREEN	
DIMENSIONAL DRAWING	DMC Co., Ltd.

A B C D E F