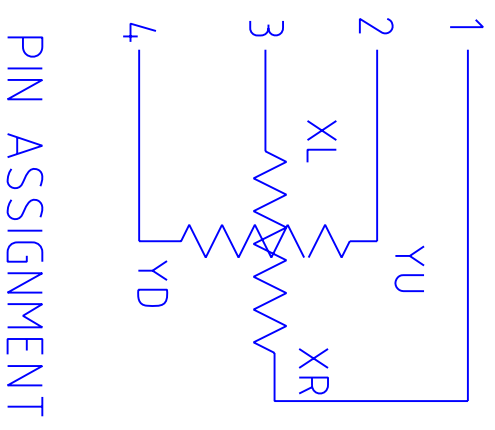
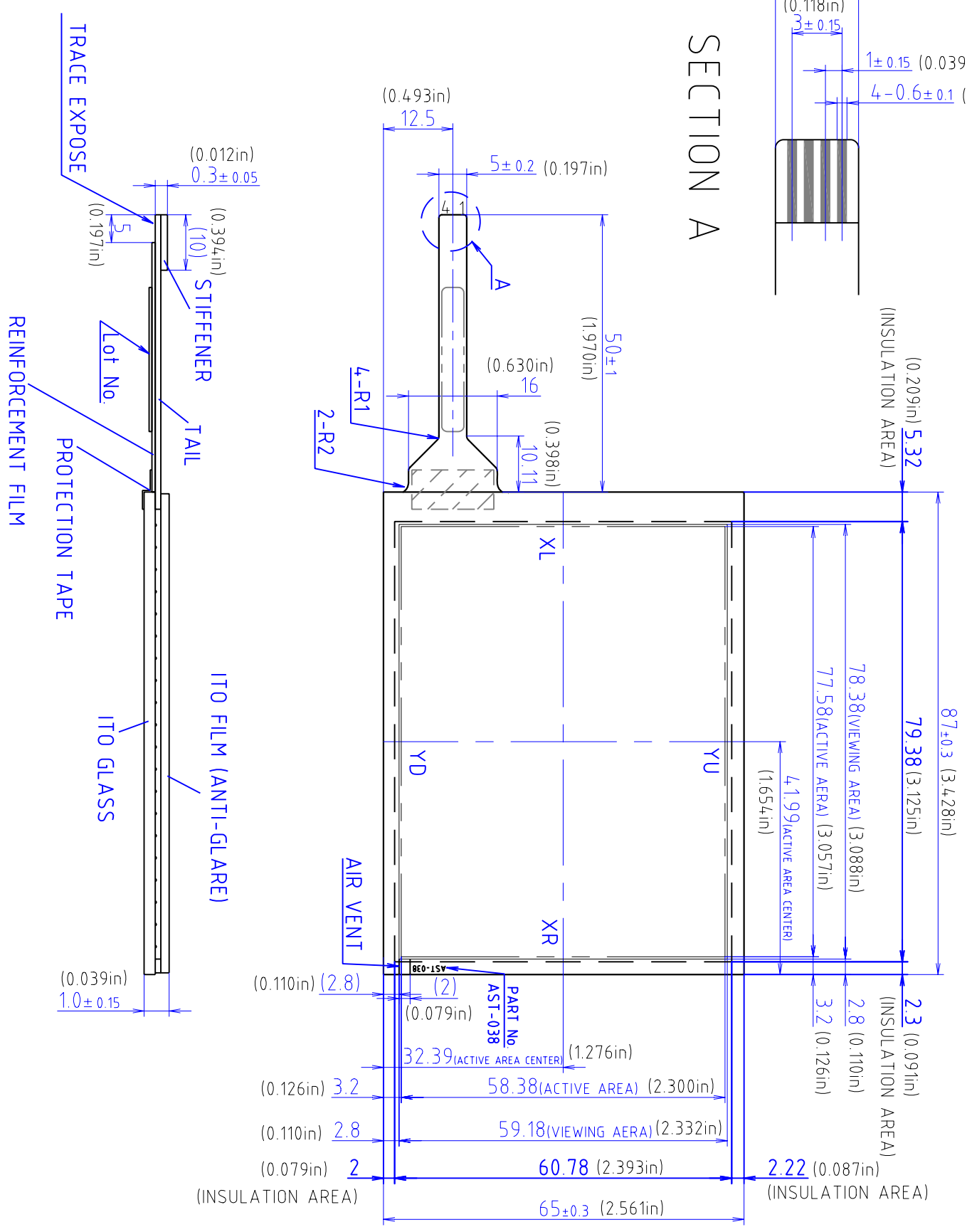


SECTION A



PIN ASSIGNMENT

TOLERANCE = ± 0.5mm (0.02in)
 EXCEPT WHERE INDICATED
 UNIT = mm (inch)

PART No.	DATE
AST-038	July 6, 2007
TYPE	
STANDARD TOUCHSCREEN	
DIMENSIONAL DRAWING	
DMC Co., Ltd.	