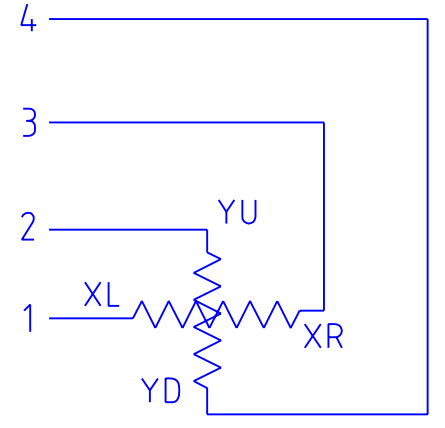
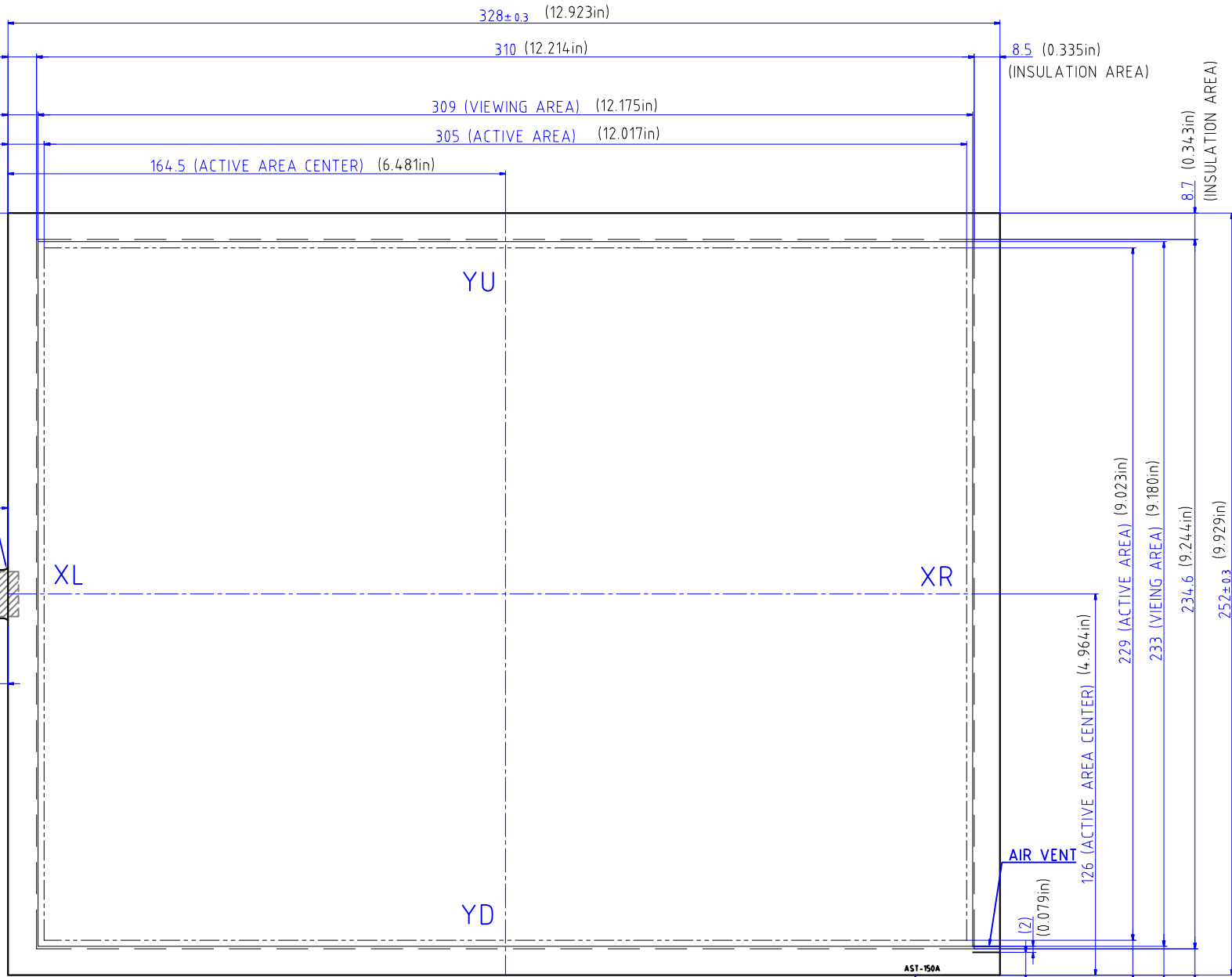
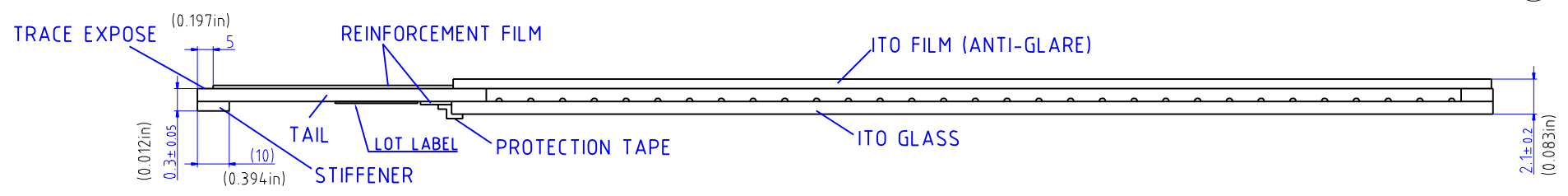
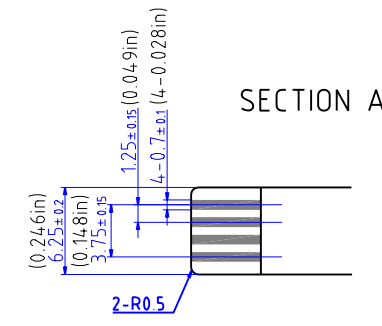
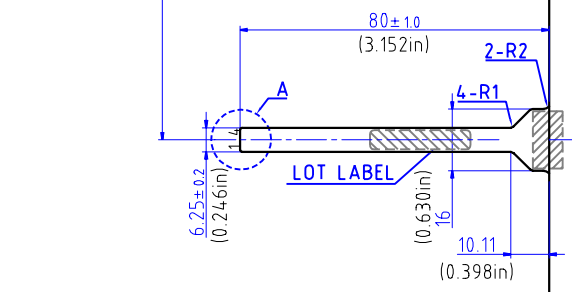


A B C D E F G H I J

(0.374in) 9.5  
(INSULATION AREA)  
(0.394in) 10  
(0.473in) 12



PIN ASSIGNMENT



TOLERANCE=± 0.5mm(0.02in)  
EXCEPT WHERE INDICATED  
UNIT=mm(inch)

PART No.	DATE
AST-150A080A	Feb 21, 2007
TYPE	DMC Co., Ltd.
STANDARD TOUCHSCREEN DIMENSIONAL DRAWING	

A B C D E F G H I J