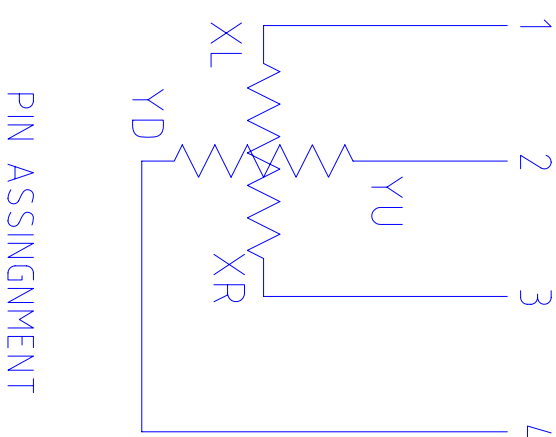
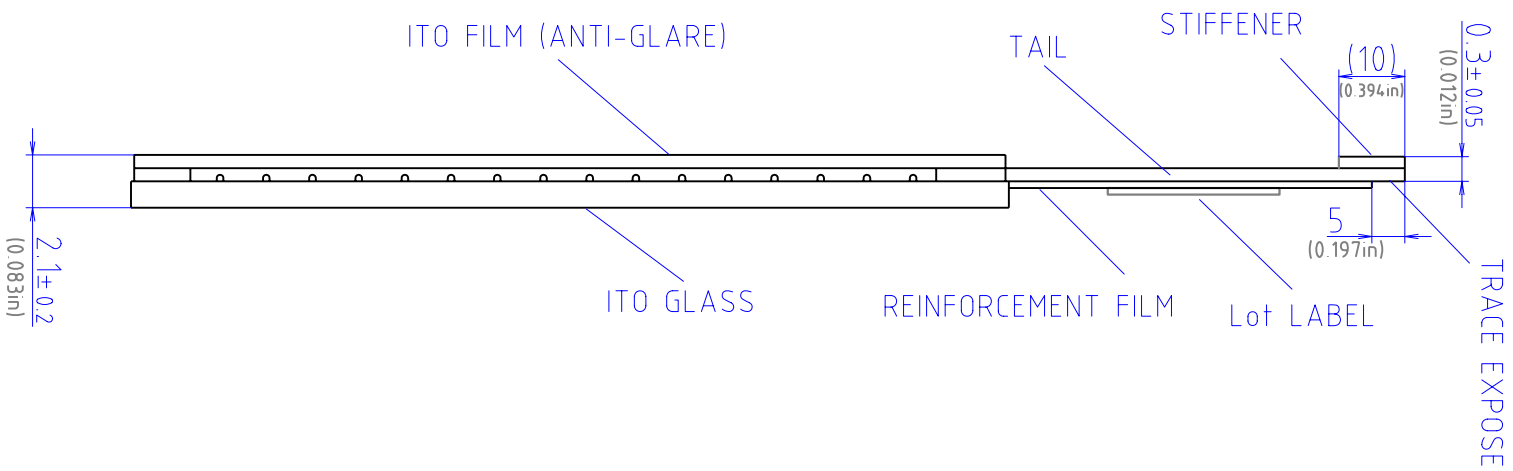
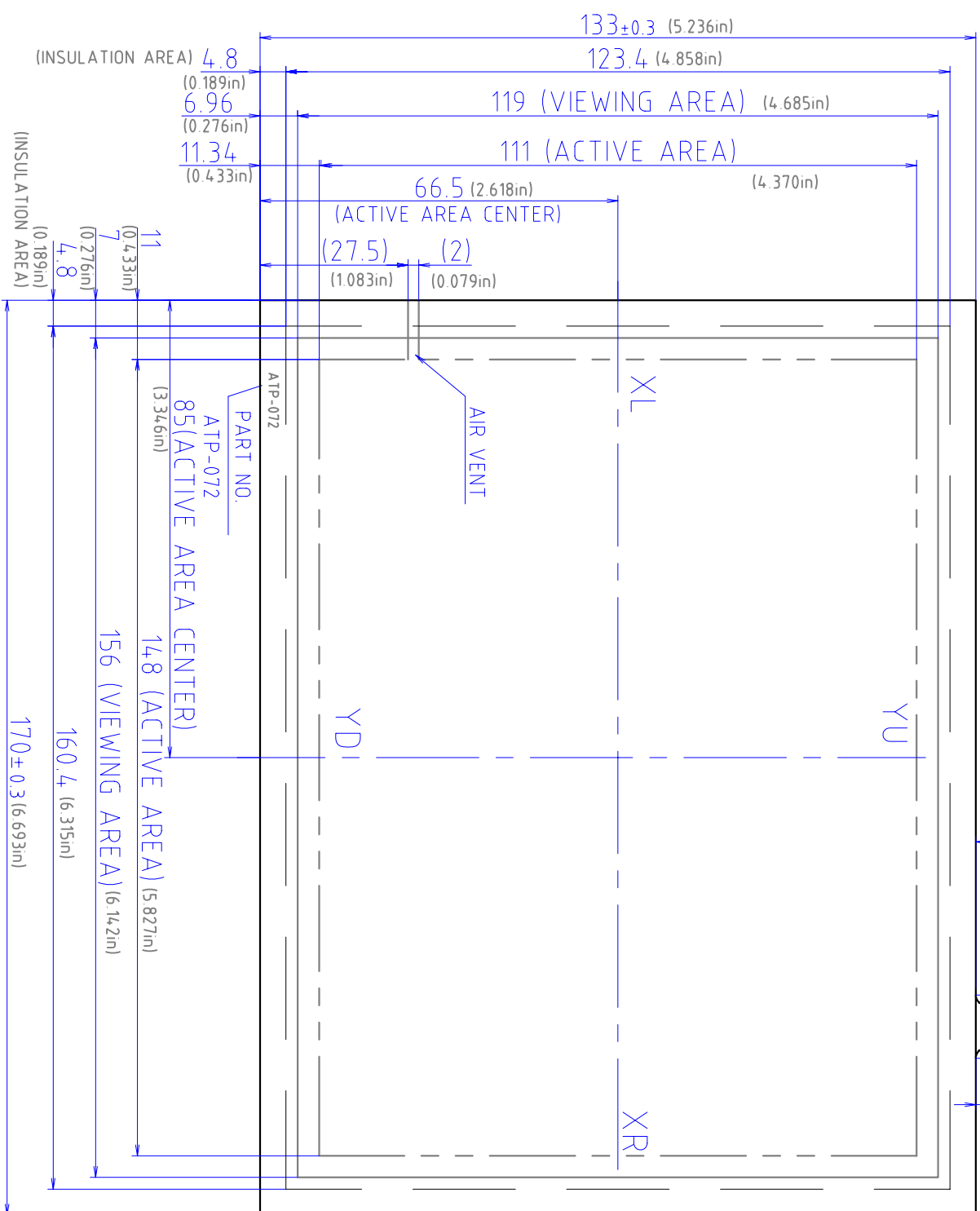
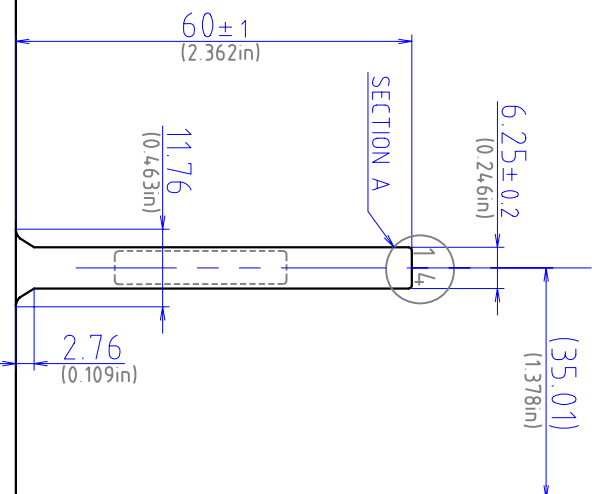
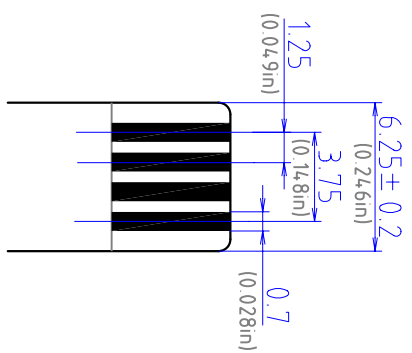


SECTION A



TOLERANCE = $\pm 0.5\text{mm}$ (0.02in)
 EXCEPT WHERE INDICATED
 UNIT = mm(in)

PART	ATP-072	DATE	JUL. 09, 2007
TYPE	STANDARD TOUCHSCREEN	DMC Co., Ltd.	
DIMENSIONAL DRAWING			