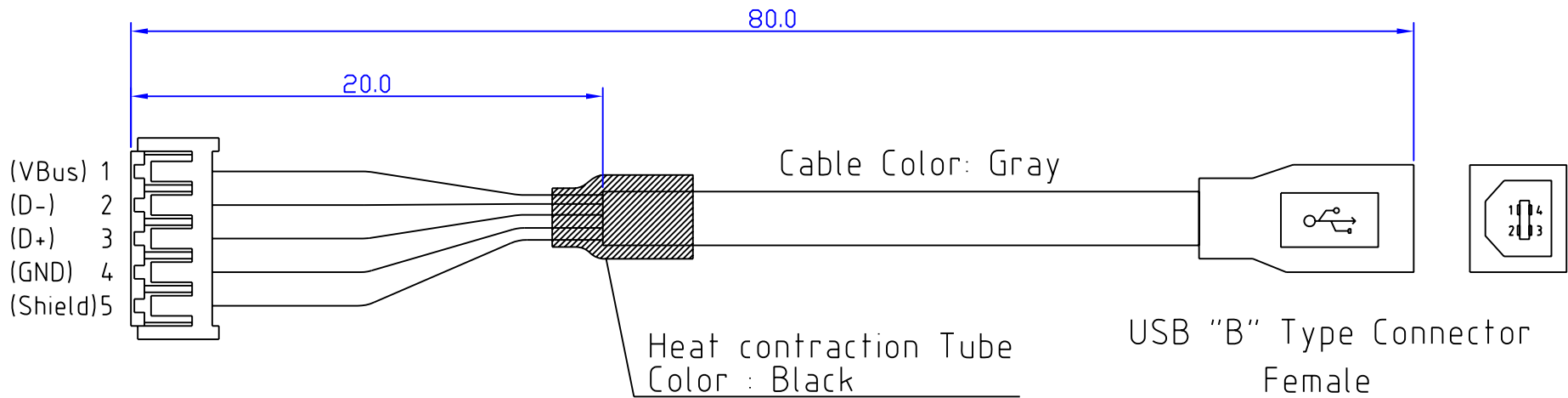


Part List

Type	Part No.	Manufacturer	qty	Remarks
Housing	PHR-5	J.S.T. Mfg Co., Ltd	1	
Contact Pin	SPH-002T-P0.5S	J.S.T. Mfg Co., Ltd	5	



Unit=mm

Part No.	Date
TSC-30/SC-B	November 12, 2007
Type	DMC Co., Ltd.
Cable	
Dimensional Drawing	