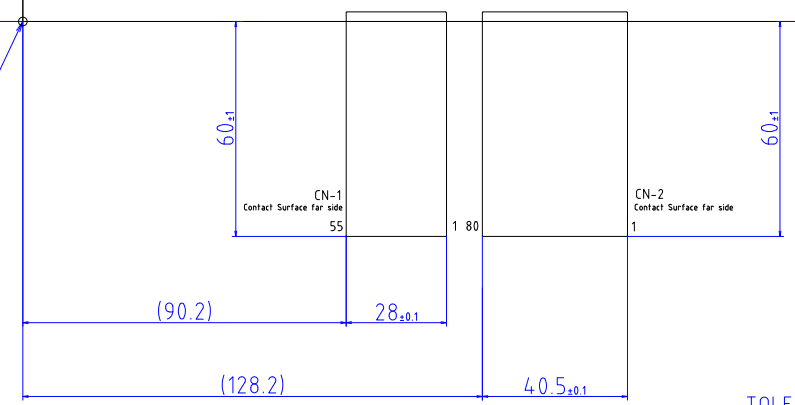
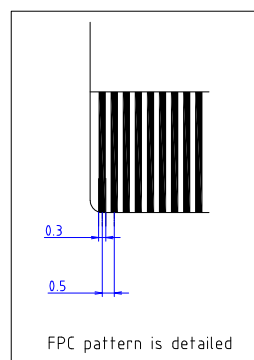


ITEM
1 TOP ITO GLASS
2 BOTTOM ITO GLASS
3 FPC
4 REINFORCEMENT FILM
5 STIFFENER
6 PROTECTION TAPE
7 ADHESIVE SHEET



TOLERANCE=±0.3mm  
 EXCEPT WHERE INDICATED  
 UNIT=mm  
 Edges and corners of ITO glass may be chamfered  
 without affecting product specification.

PART No.	DATE
DUS-A190A060A	Apr/10/2019
TYPE	DMC Co., Ltd.
Projected Capacitive DIMENSIONAL DRAWING	

