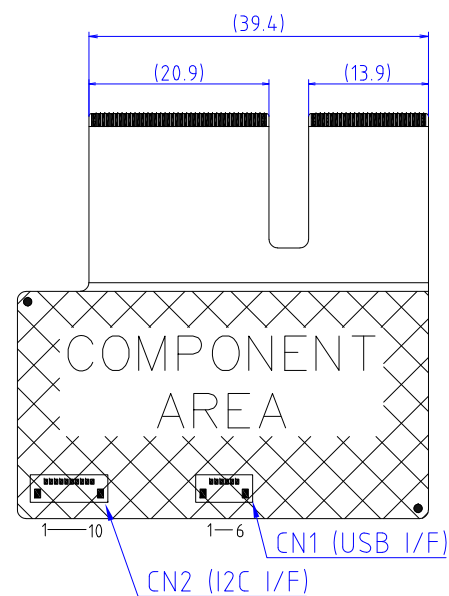


【 TOP VIEW 】



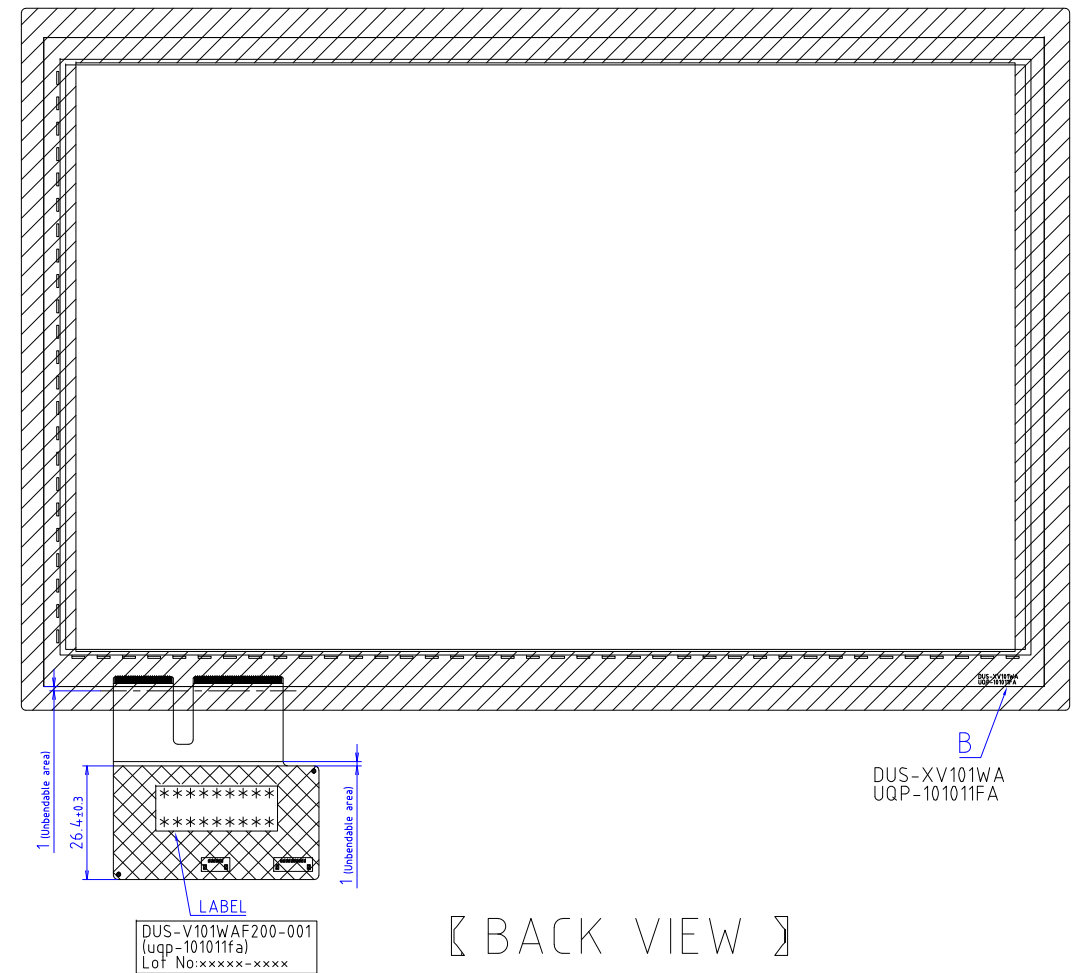
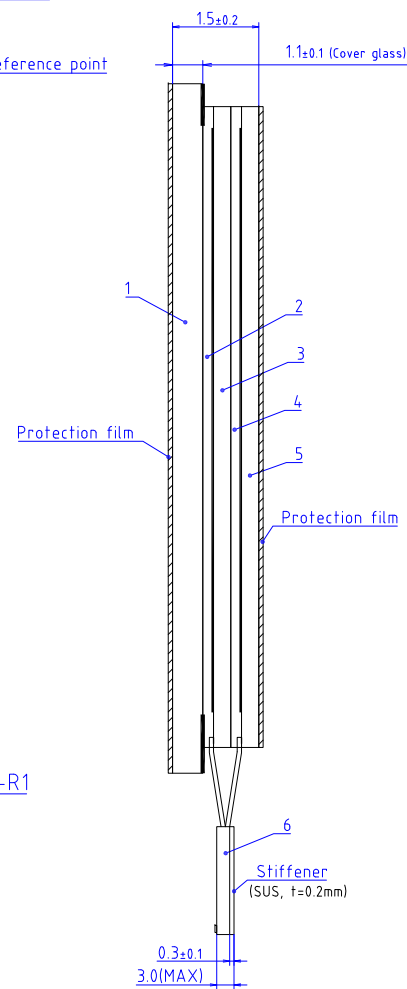
※ COF expansion ※

CN2 I2C I/F

PIN No.	PIN Name	PIN No.	PIN Name
1	ICE_CK	6	INT
2	ICE_DAT	7	V-BUS
3	RSTn	8	UART_TX
4	SCL	9	GND
5	SDA	10	UART_RX

CN1 USB I/F

PIN No.	PIN Name
1	V-BUS
2	GND
3	D-
4	D+
5	GND
6	RSTn



- ※1 Unless otherwise specified, tolerances are ±0.3mm.
- ※2 Figures in parentheses are reference values.
- ※3 The minimum bendable radius of the FPC is 1.0mm.
- ※4 (A.A) values are theoretical.

ITEM
1 COVER GLASS
2 OCA-1
3 TOP ITO FILM
4 OCA-2
5 BOTTOM ITO FILM
6 COF

PART No.	DATE
DUS-V101WAF200	Sep/02/2019
TYPE	DMC Co., Ltd.
Projected Capacitive DIMENSIONAL DRAWING	

UNIT=mm