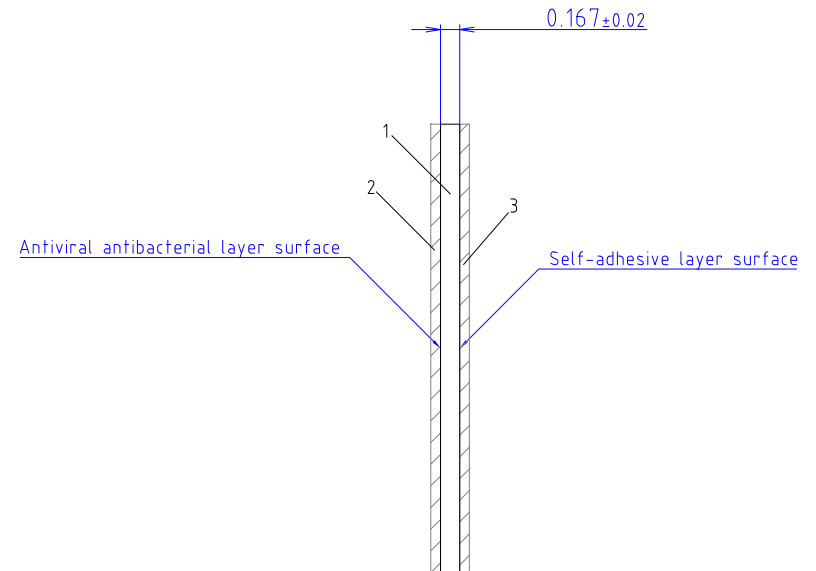
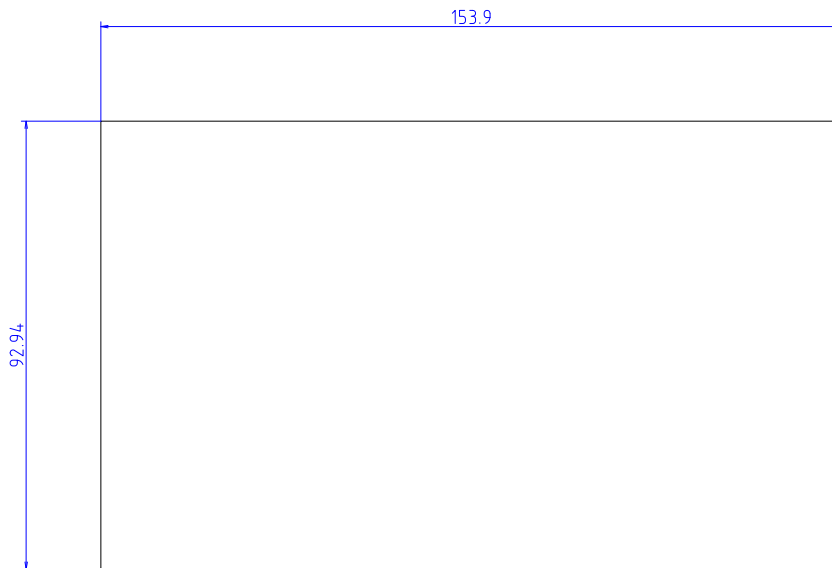


SIAA
 ISO 21702
 抗ウイルス加工
 Anti-Virus
 JP0612499X0001N

SIAA
 ISO 22196
 抗菌加工
 Anti-Bacteria
 JP0122499X0001J

DMC
 Interface with Touch

FV Series



	ITEM
1	Antiviral antibacterial Film
2	Protection Film
3	Separator Film

TOLERANCE=±0.3mm
 EXCEPT WHERE INDICATED
 UNIT=mm

PART No.	DATE	
FV-154093A001	Sep/16/20	
TYPE	DMC Co., Ltd.	
ANTI-VIRUS FILM		
DIMENSIONAL DRAWING		