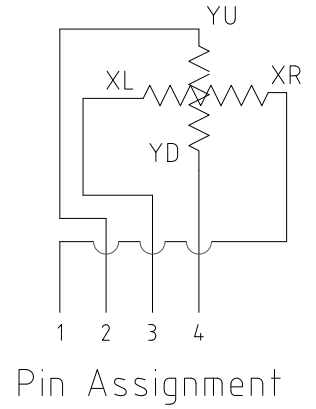
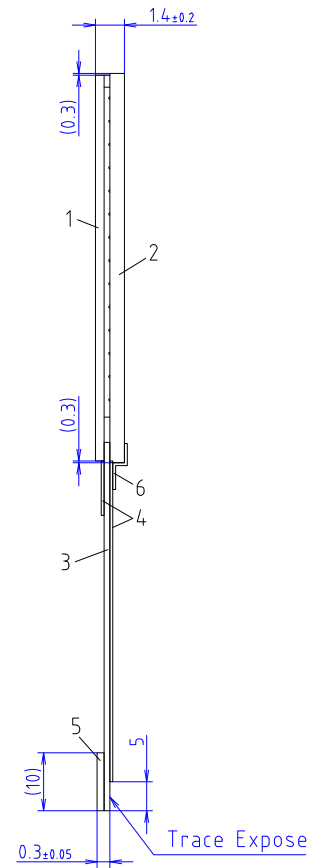


TOLERANCE=±0.5mm
EXCEPT WHERE INDICATED
Unit: mm



	ITEM
1	ITO FILM
2	ITO GLASS
3	TAIL
4	REINFORCEMENT FILM
5	STIFFENER
6	PROTECTION TAPE

PART No.		DATE	
LST-043WB060B		Aug/31/2021	
TYPE		DMC Co., Ltd.	
STANDARD TOUCHSCREEN			
CIRCUIT DRAWING			