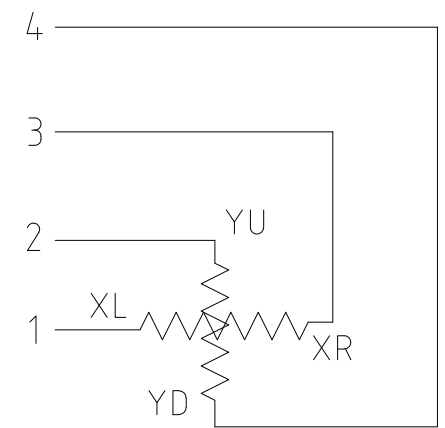
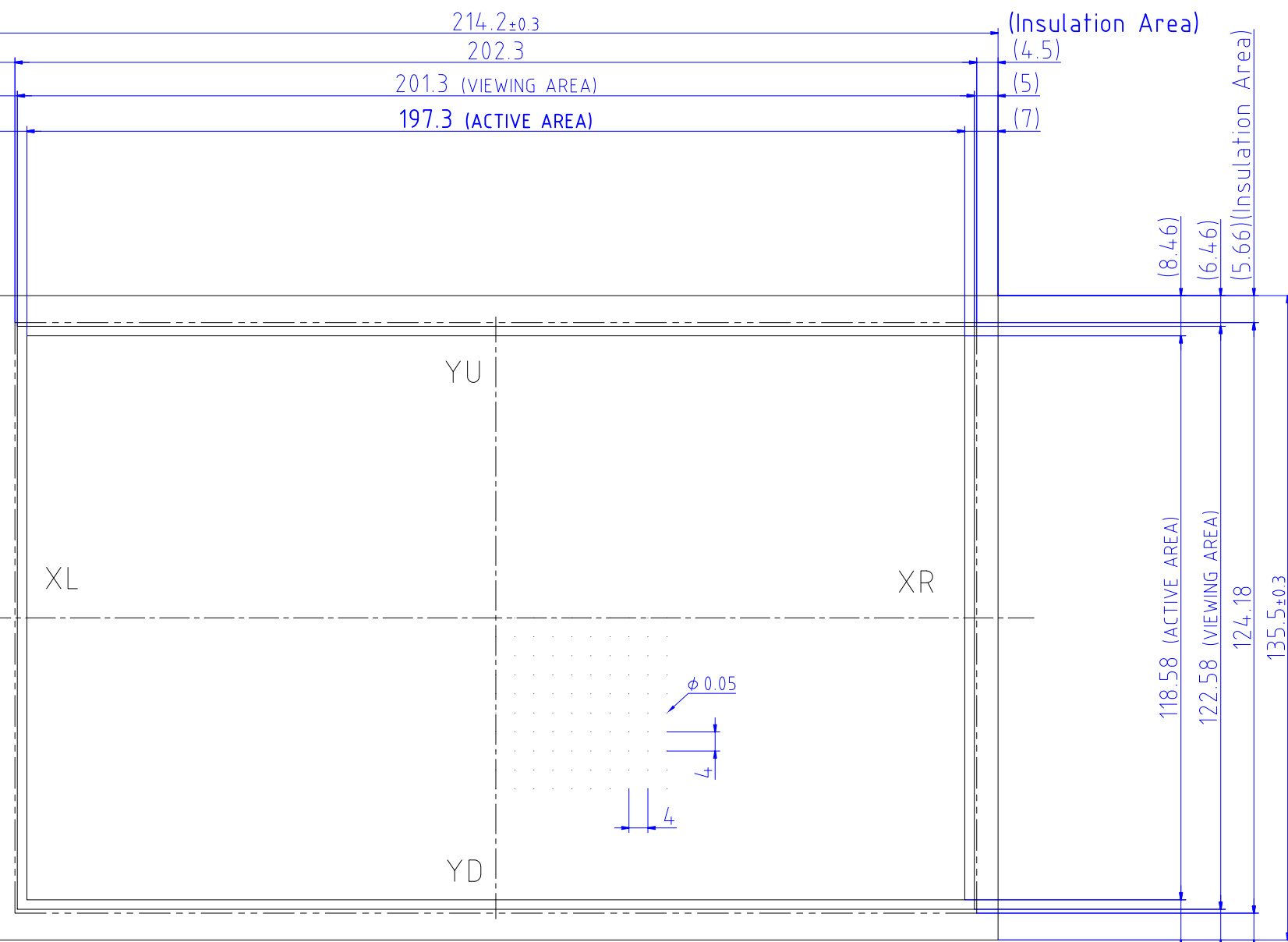
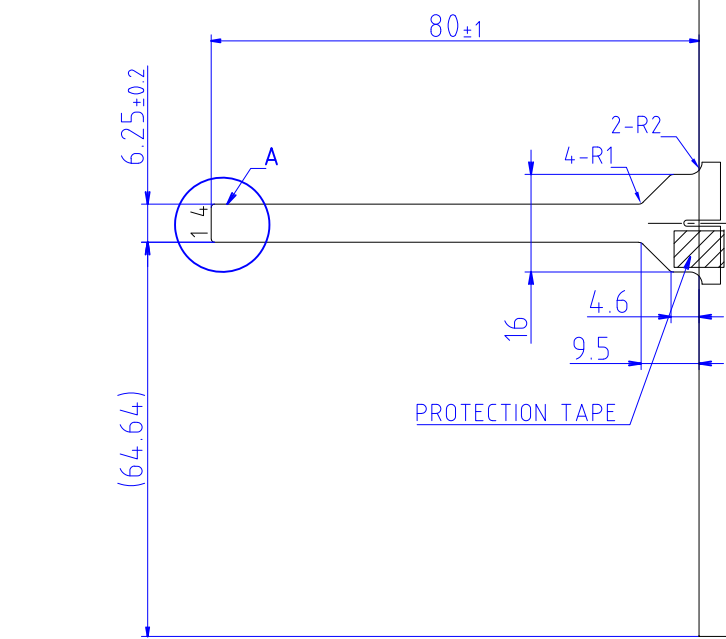
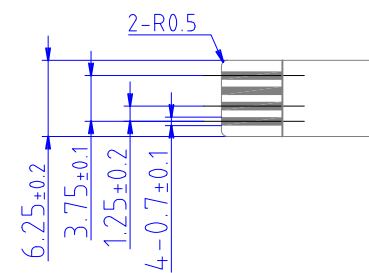
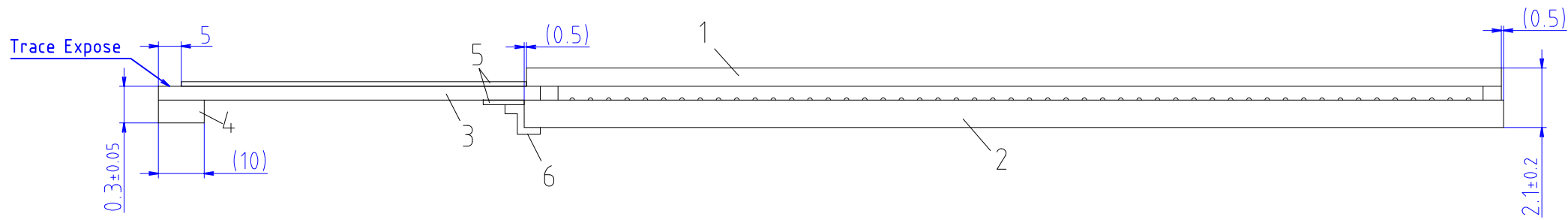


SECTION A



Pin Assignment



ITEM
1 ITO FILM
2 ITO GLASS
3 TAIL
4 STIFFENER
5 REINFORCEMENT FILM
6 PROTECTION TAPE

TOLERANCE=±0.5mm  
EXCEPT WHERE INDICATED  
Unit: mm

PART No.	DATE
LST-090WB080A	Apr/01/2020
TYPE	DMC Co., Ltd.
STANDARD TOUCHSCREEN CIRCUIT DRAWING	