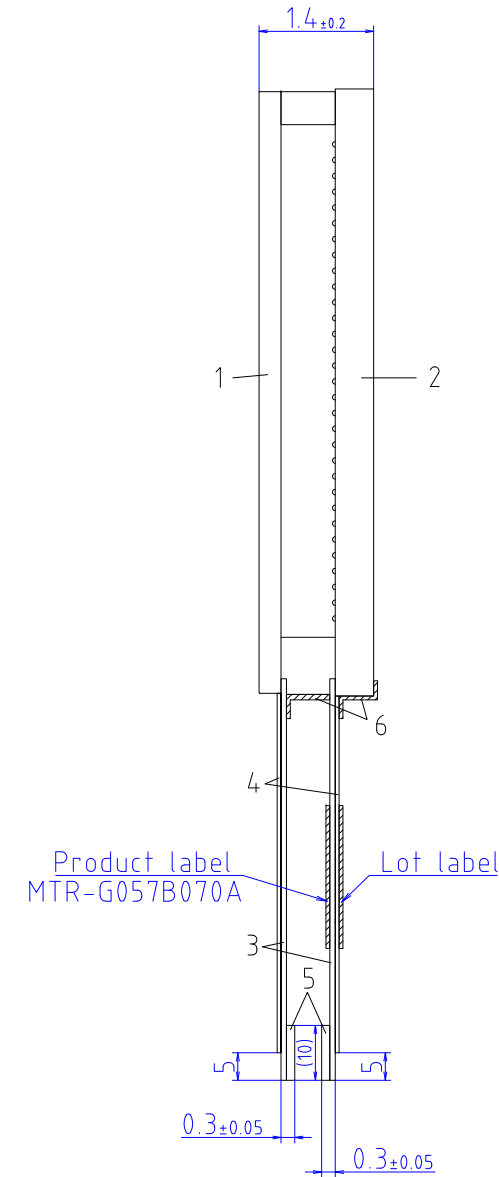


PIN ASSIGNMENT

Tail-1		Tail-2	
1	R1	17	U6
2	R2	18	U7
3	R3	19	U8
4	R4	20	SUR
5	R5	21	D8
6	R6	22	D7
7	R7	23	D6
8	SDR	24	D5
9	L7	25	D4
10	L6	26	D3
11	L5	27	D2
12	L4	28	D1
13	L3	29	SDL
14	L2	30	U1
15	L1	31	U2
16	SUL	32	U3
		33	U4
		34	U5



ITEM	
1	ITO FILM
2	ITO GLASS
3	TAIL
4	REINFORCEMENT FILM
5	STIFFENER
6	PROTECTION TAPE

PART No.	DATE
MTR-G057B070A	Apr/01/2020
TYPE	DMC Co., Ltd.
Multi Touch Resistive DIMENSIONAL DRAWING	