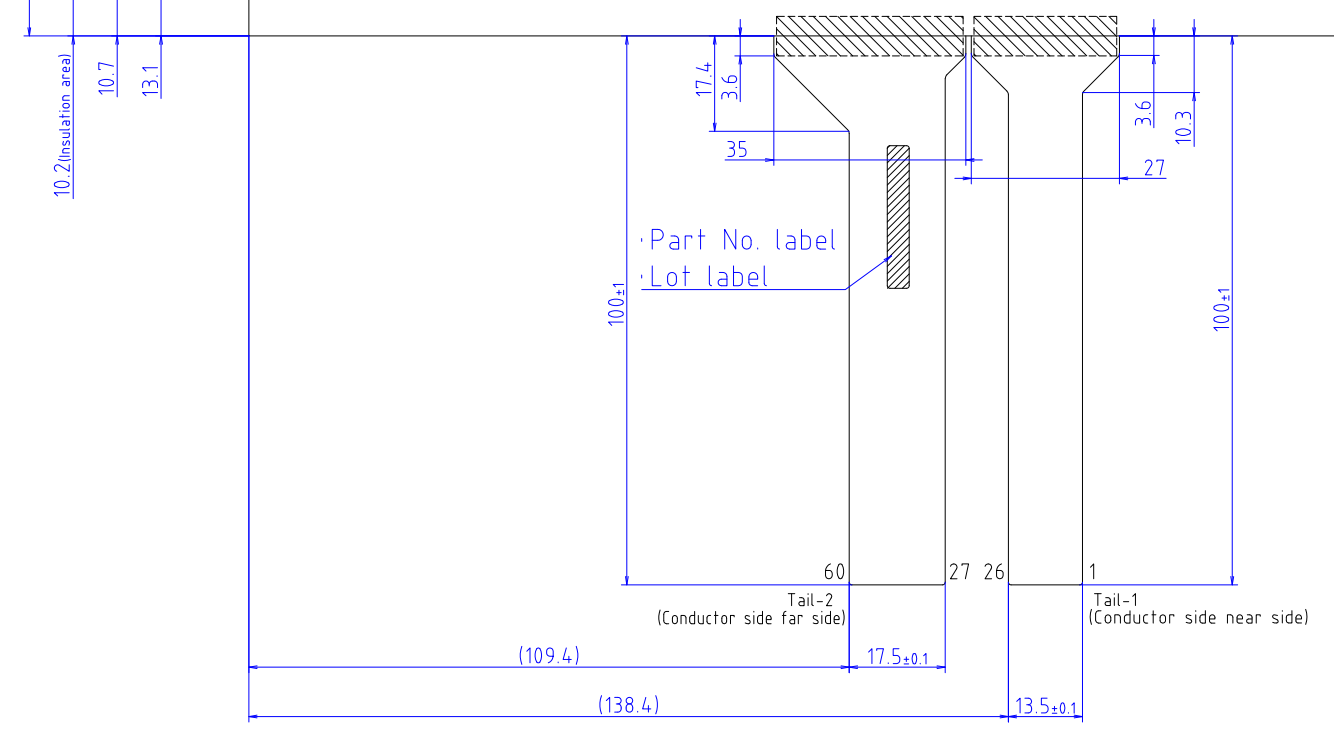


PIN ASSIGNMENT

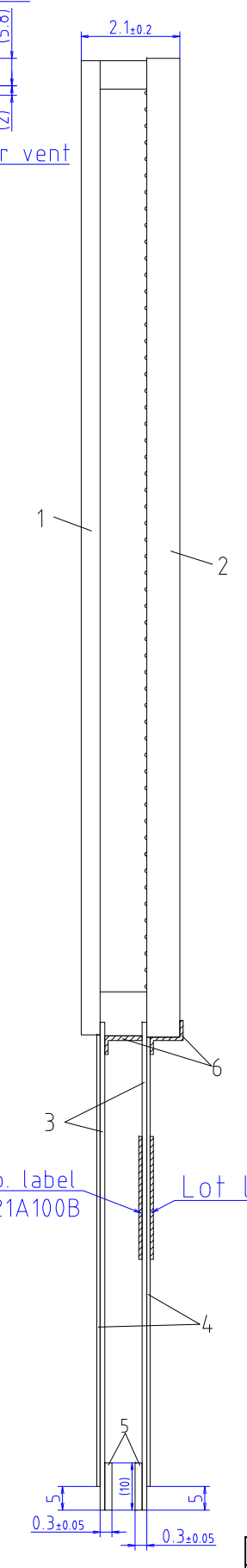
Tail-1		Tail-2	
1	R1	27	U9
2	R2	28	U10
3	R3	29	U11
4	R4	30	U12
5	R5	31	U13
6	R6	32	U14
7	R7	33	U15
8	R8	34	SUR
9	R9	35	D15
10	R10	36	D14
11	R11	37	D13
12	R12	38	D12
13	SDR	39	D11
14	L12	40	D10
15	L11	41	D9
16	L10	42	D8
17	L9	43	NC
18	L8	44	D7
19	L7	45	D6
20	L6	46	D5
21	L5	47	D4
22	L4	48	D3
23	L3	49	D2
24	L2	50	D1
25	L1	51	SDL
26	SUL	52	U1
		53	U2
		54	U3
		55	U4
		56	U5
		57	U6
		58	U7
		59	U8
		60	NC



Part No. label  
MTR-G121A100B

Lot label

TOLERANCE=±0.5mm  
EXCEPT WHERE INDICATED  
UNIT=mm



1	ITO FILM (ANTI-GLARE)
2	ITO GLASS
3	FPC
4	REINFORCEMENT FILM
5	STIFFENER
6	PROTECTION TAPE

PART No.	DATE
MTR-G121A100B	May/14/2018
TYPE	DMC Co., Ltd.
Multi Touch Resistive	
DIMENSIONAL DRAWING	