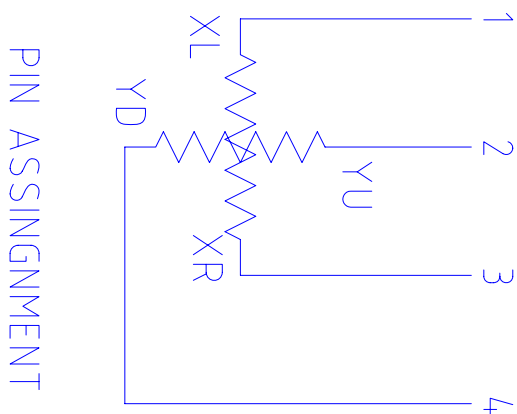
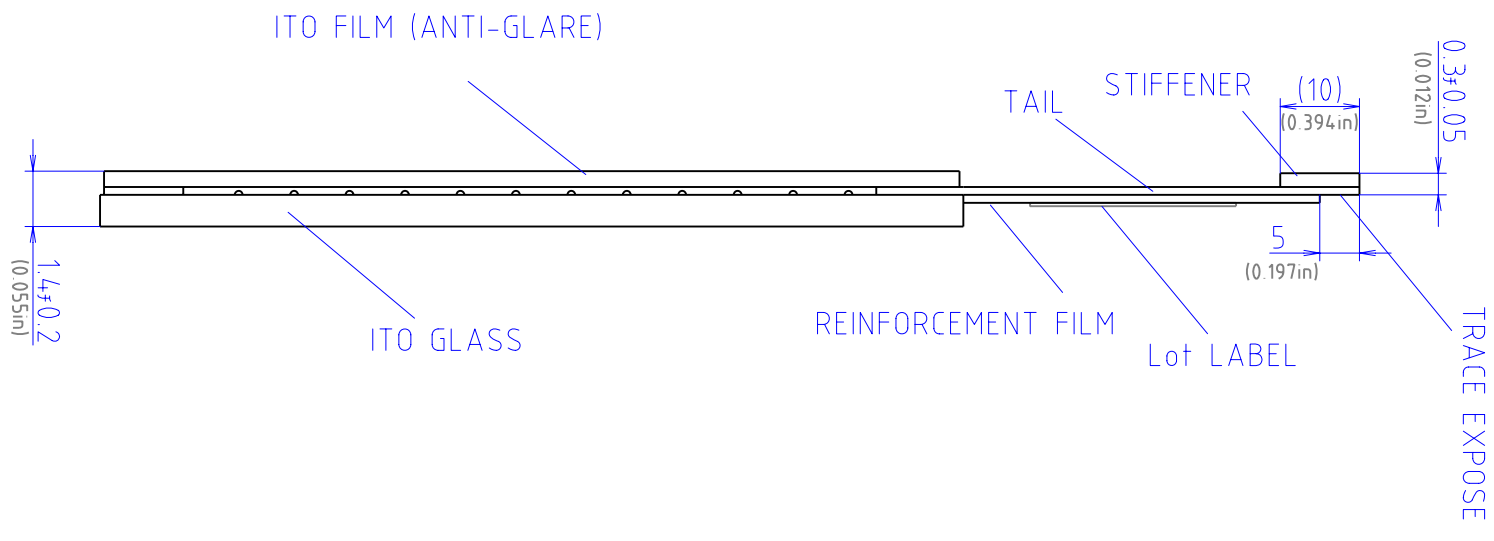
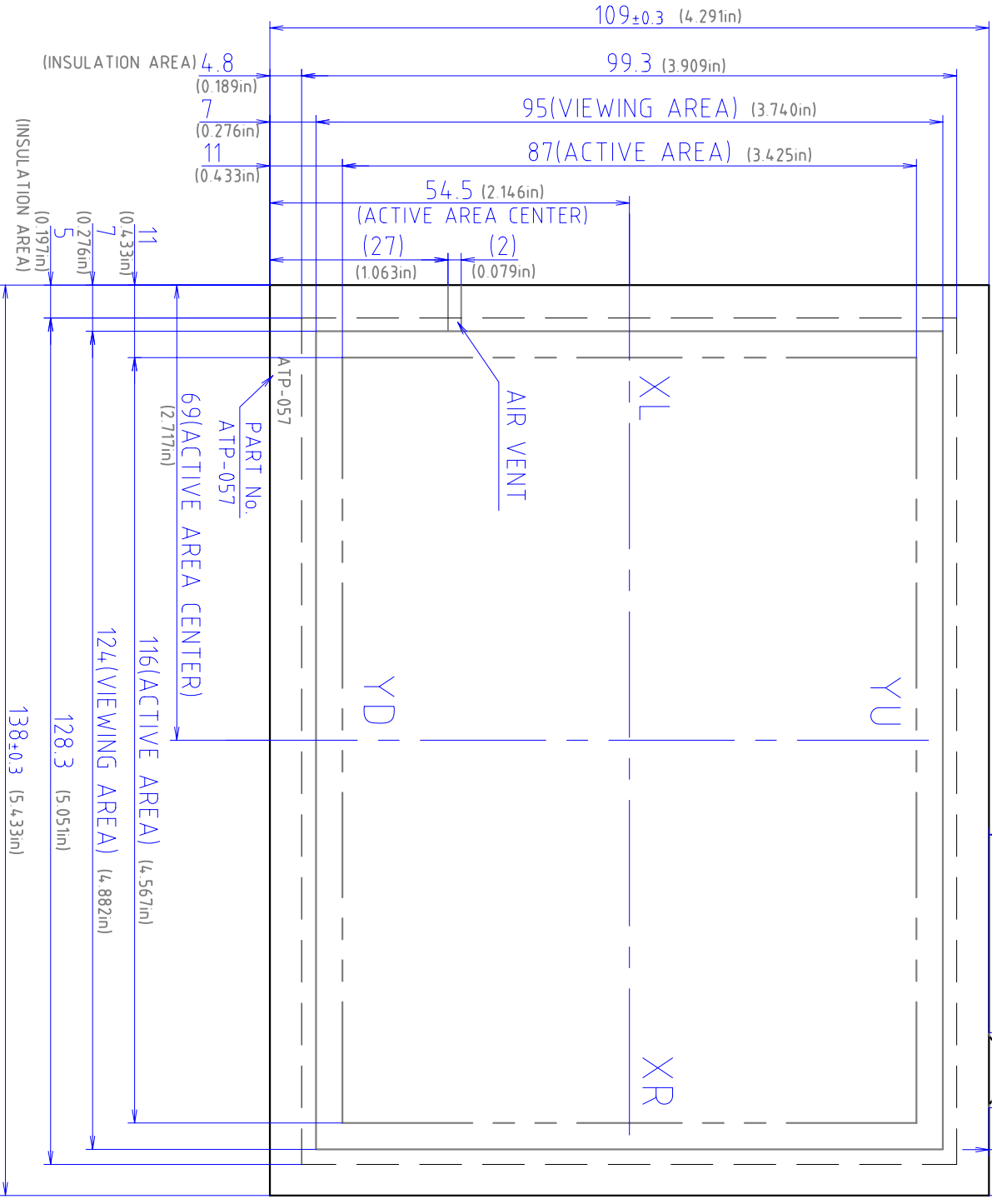
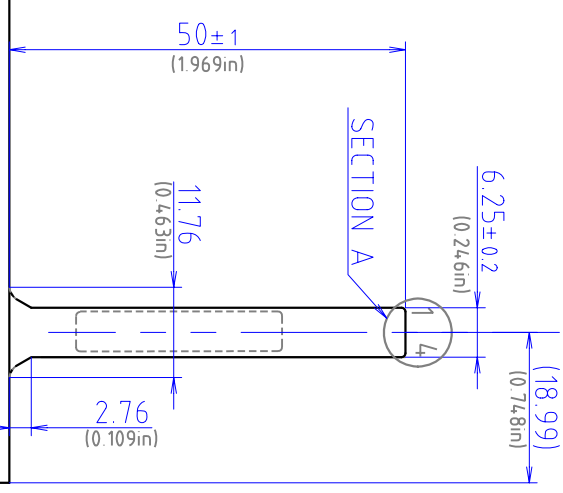
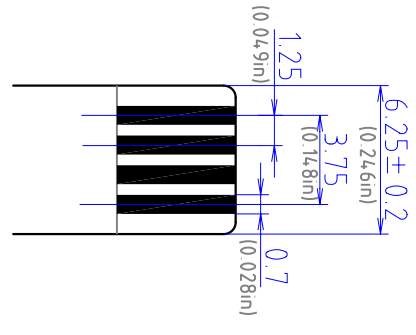


SECTION A



TOLERANCE =  $\pm 0.5\text{mm}$  (  $.02\text{in}$  )  
 EXCEPT WHERE INDICATED  
 UNIT = mm(in)

PART	DATE
ATP-057	JUL. 09, 2007
TYPE	
STANDARD TOUCHSCREEN	
DIMENSIONAL DRAWING	
	DMC Co., Ltd.