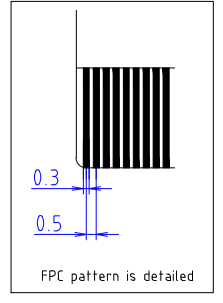
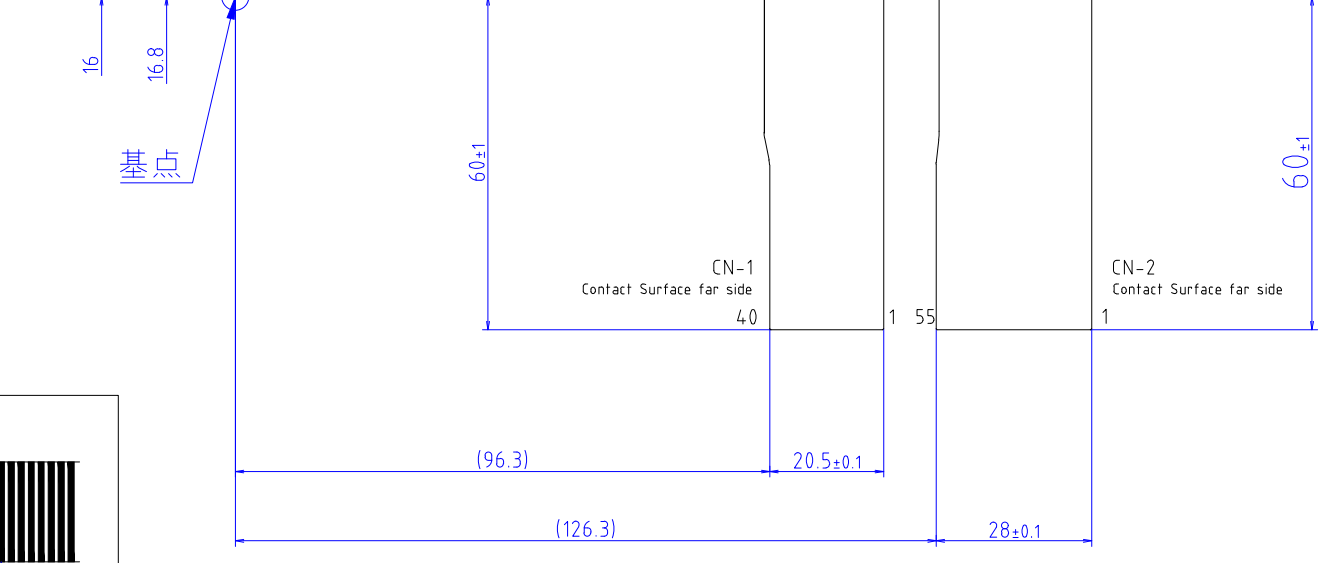
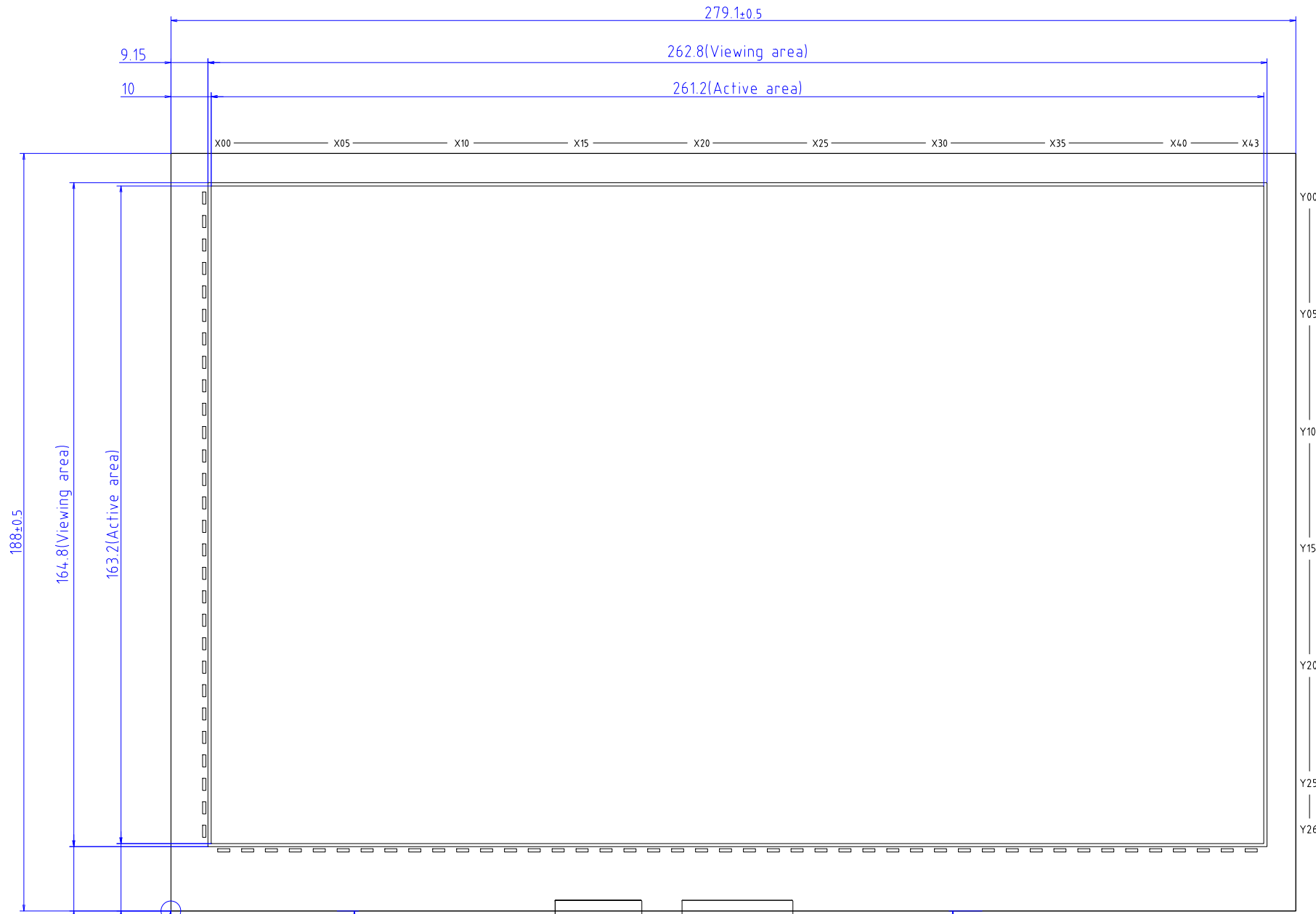
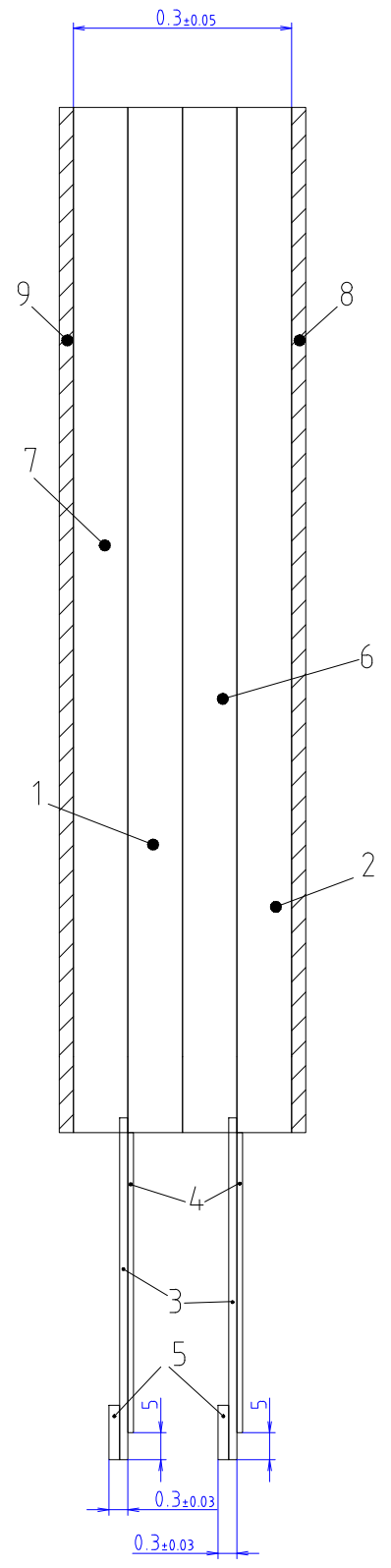


A B C D E F G H



TOLERANCE = ±0.3mm
EXCEPT WHERE INDICATED
UNIT = mm



ITEM	
1	TOP ITO FILM
2	BOTTOM ITO FILM
3	FPC
4	REINFORCEMENT FILM
5	STIFFENER
6	ADHESIVE SHEET
7	ADHESIVE SHEET
8	SEPARATE FILM
9	SEPARATE FILM

PART No. DUS-XF121WA060B	DATE June/25/2020
TYPE Projected Capacitive DIMENSIONAL DRAWING	DMC Co., Ltd.

A B C D E F G H