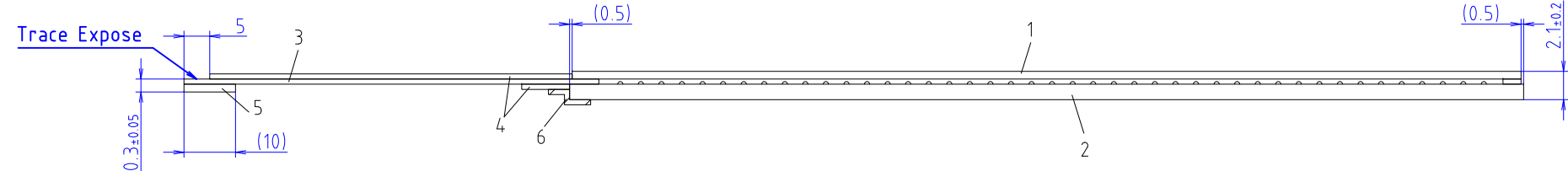
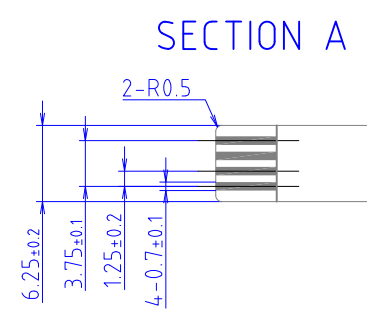


Pin Assignment



ITEM
1 ITO FILM
2 ITO GLASS
3 TAIL
4 REINFORCEMENT FILM
5 STIFFENER
6 PROTECTION TAPE

TOLERANCE=±0.5mm
EXCEPT WHERE INDICATED
Unit: mm

PART No.	DATE
LST-084B080A	Apr/01/2020
TYPE STANDARD TOUCHSCREEN CIRCUIT DRAWING	DMC Co., Ltd.