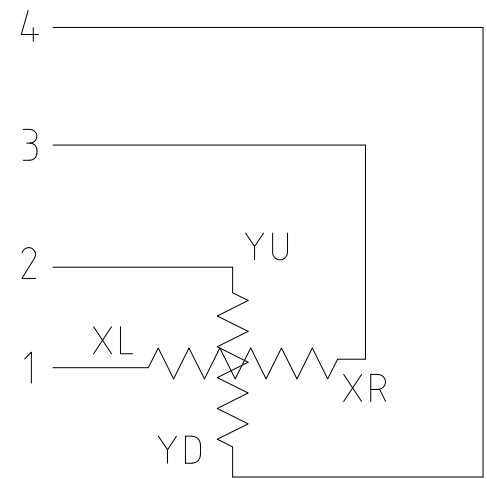
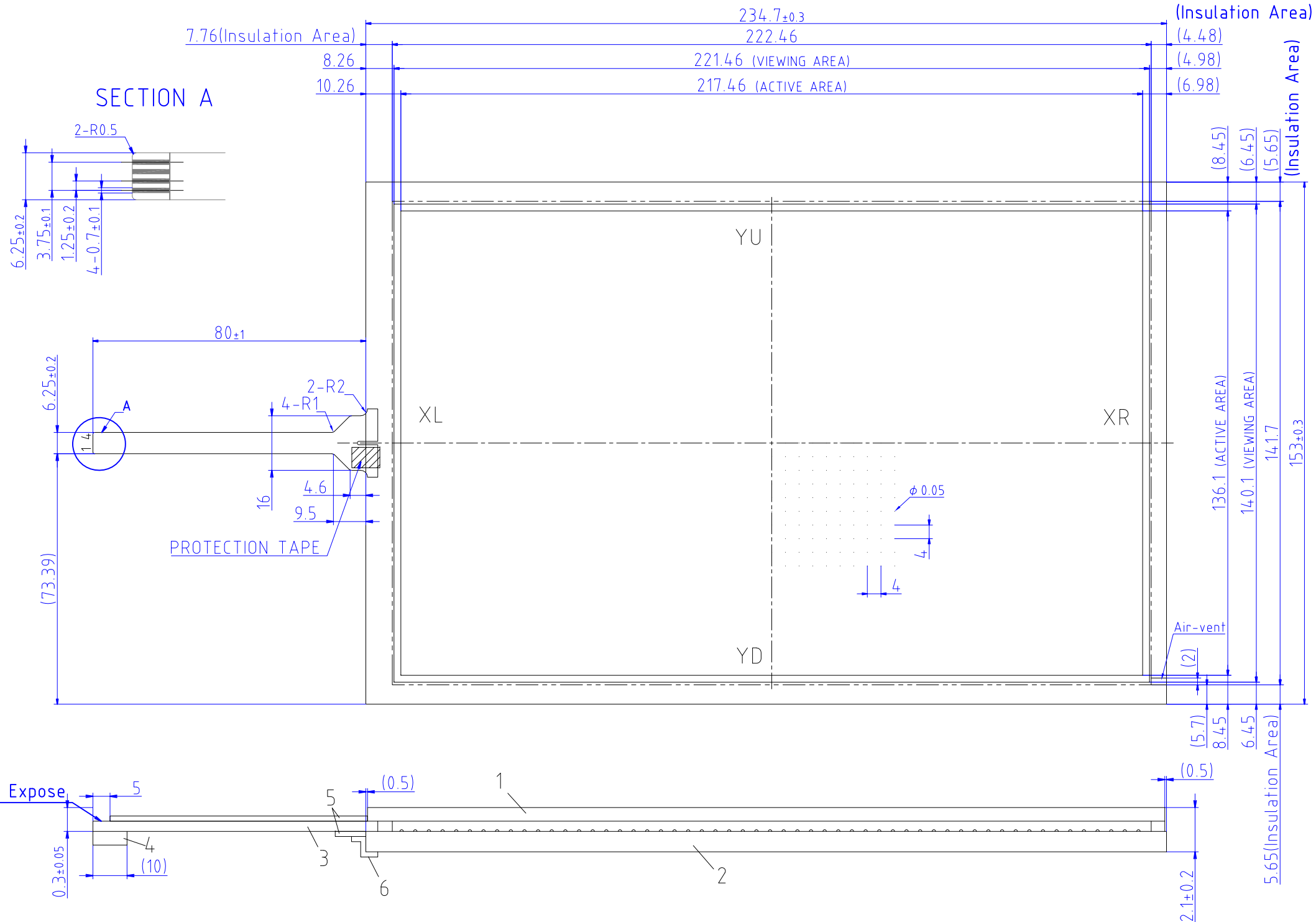


A B C D E F G H

1 2 3 4 5



Pin Assignment

TOLERANCE=±0.5mm  
EXCEPT WHERE INDICATED  
Unit: mm

	ITEM
1	ITO FILM
2	ITO GLASS
3	TAIL
4	STIFFENER
5	REINFORCEMENT FILM
6	PROTECTION TAPE

PART No.	DATE	
LST-101WA080A	Feb/28/2019	
TYPE	DMC Co., Ltd.	
STANDARD TOUCHSCREEN CIRCUIT DRAWING		

A B C D E F G H

1 2 3 4 5