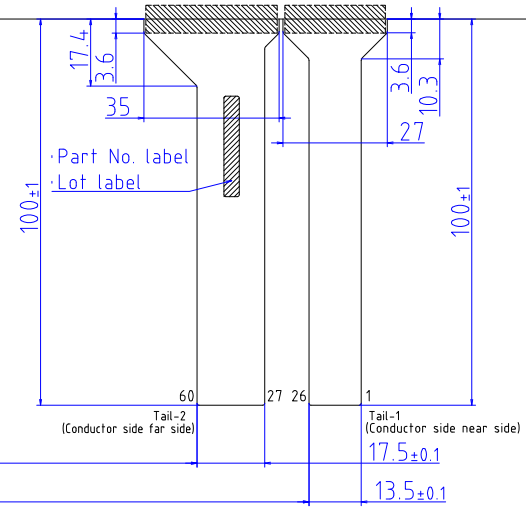
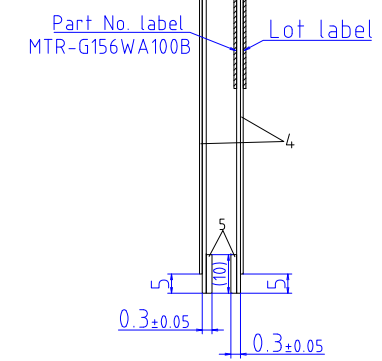


PIN ASSIGNMENT

Tail-1	Tail-2
1	R1
2	R2
3	R3
4	R4
5	R5
6	R6
7	R7
8	R8
9	NC
10	NC
11	NC
12	NC
13	SDR
14	NC
15	NC
16	NC
17	NC
18	L8
19	L7
20	L6
21	L5
22	L4
23	L3
24	L2
25	L1
26	SUL
27	U9
28	U10
29	U11
30	U12
31	U13
32	U14
33	NC
34	SUR
35	NC
36	D14
37	D13
38	D12
39	D11
40	D10
41	D9
42	D8
43	NC
44	D7
45	D6
46	D5
47	D4
48	D3
49	D2
50	D1
51	SDL
52	U1
53	U2
54	U3
55	U4
56	U5
57	U6
58	U7
59	U8
60	NC



1	ITO FILM (ANTI-GLARE)
2	ITO GLASS
3	FPC
4	REINFORCEMENT FILM
5	STIFFENER
6	PROTECTION TAPE

PART No.	DATE
MTR-G156WA100B	May/14/2018
TYPE	DMC Co., Ltd.
Multi Touch Resistive DIMENSIONAL DRAWING	

TOLERANCE=±0.5mm
EXCEPT WHERE INDICATED
UNIT=mm