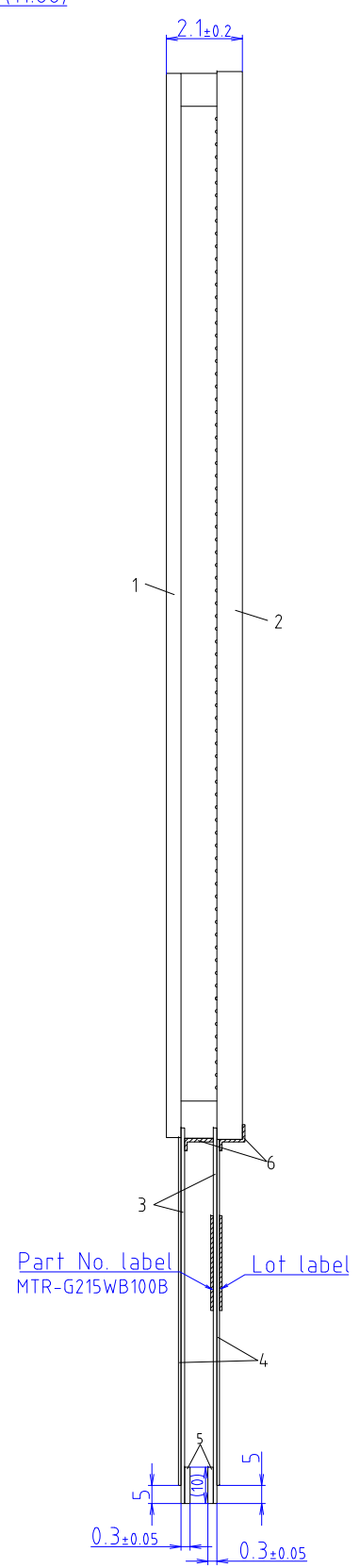
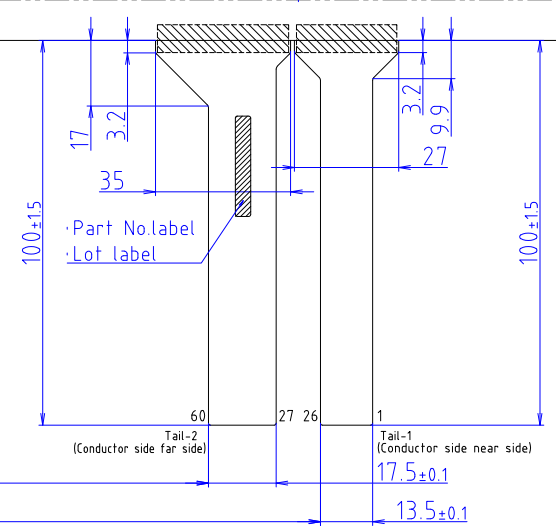


PIN ASSIGNMENT

| Tail-1 | | Tail-2 | |
|--------|-----|--------|-----|
| 1 | R1 | 27 | U9 |
| 2 | R2 | 28 | U10 |
| 3 | R3 | 29 | U11 |
| 4 | R4 | 30 | U12 |
| 5 | R5 | 31 | U13 |
| 6 | R6 | 32 | U14 |
| 7 | R7 | 33 | NC |
| 8 | R8 | 34 | SUR |
| 9 | NC | 35 | NC |
| 10 | NC | 36 | D14 |
| 11 | NC | 37 | D13 |
| 12 | NC | 38 | D12 |
| 13 | SDR | 39 | D11 |
| 14 | NC | 40 | D10 |
| 15 | NC | 41 | D9 |
| 16 | NC | 42 | D8 |
| 17 | NC | 43 | NC |
| 18 | L8 | 44 | D7 |
| 19 | L7 | 45 | D6 |
| 20 | L6 | 46 | D5 |
| 21 | L5 | 47 | D4 |
| 22 | L4 | 48 | D3 |
| 23 | L3 | 49 | D2 |
| 24 | L2 | 50 | D1 |
| 25 | L1 | 51 | SDL |
| 26 | SUL | 52 | U1 |
| | | 53 | U2 |
| | | 54 | U3 |
| | | 55 | U4 |
| | | 56 | U5 |
| | | 57 | U6 |
| | | 58 | U7 |
| | | 59 | U8 |
| | | 60 | NC |



| | |
|---|-----------------------|
| 1 | ITO FILM (ANTI-GLARE) |
| 2 | ITO GLASS |
| 3 | FPC |
| 4 | REINFORCEMENT FILM |
| 5 | STIFFENER |
| 6 | PROTECTION TAPE |



TOLERANCE=±0.5mm
EXCEPT WHERE INDICATED
UNIT=mm

| | |
|--|---------------|
| PART No. | DATE |
| MTR-G215WB100B | Aug/7/2019 |
| TYPE | DMC Co., Ltd. |
| Multi Touch Resistive DIMENSIONAL DRAWING | |