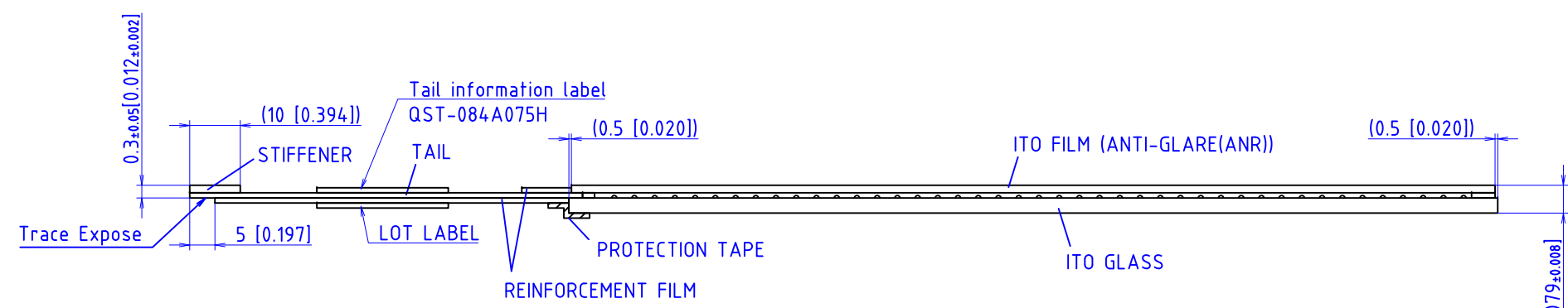
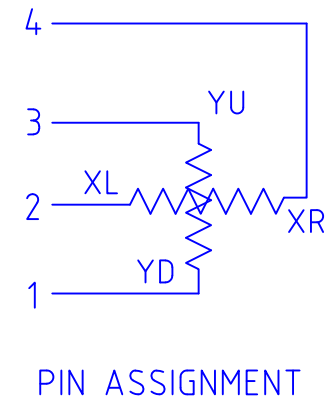
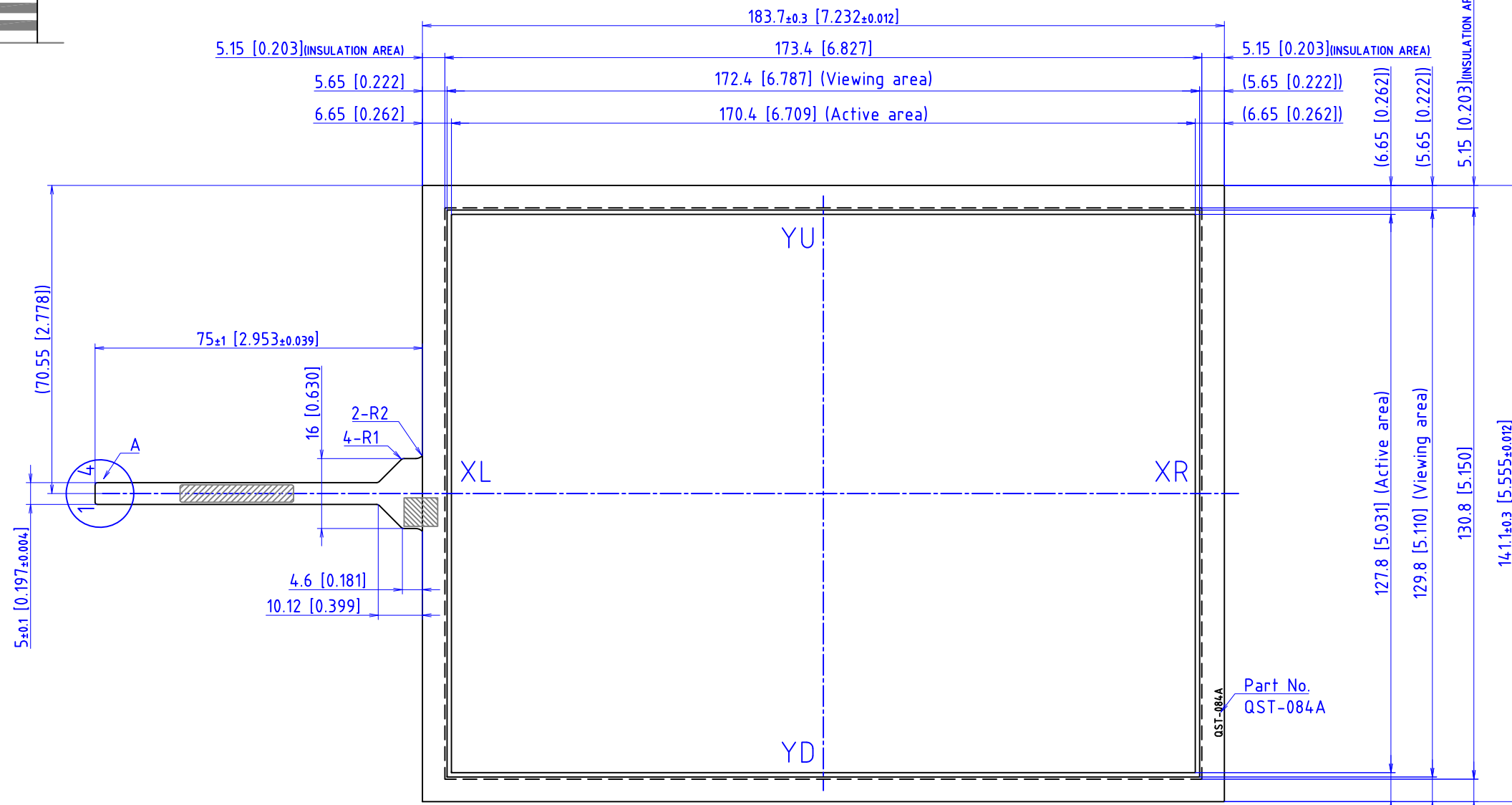
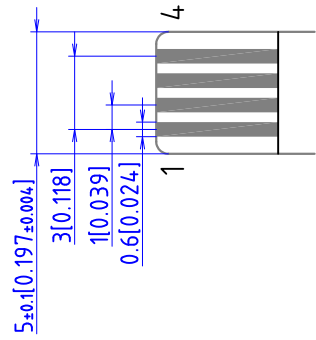


SECTION A



TOLERANCE=±0.5mm(0.02in)  
EXCEPT WHERE INDICATED  
Unit: mm

PART No.	DATE
QST-084A075H	Apr 1, 2020
TYPE	
STANDARD TOUCHSCREEN	
CIRCUIT DRAWING	DMC Co., Ltd.